



# ***Operator's Manual***

Serial number range

**Z-33/18**  
**DC Power**

From Z331815M-101  
to Z331816M- 1299

From Z3318M-1300

ANSI/CSA  
North America  
South America  
Asia

with  
Maintenance  
Information

Original Instructions  
First Edition  
Second Printing  
Part No. 1257144GT

---

## Contents

Introduction.....	1
Symbol and Hazard Pictorials Definitions.....	5
General Safety.....	7
Personal Safety .....	11
Work Area Safety .....	12
Legend.....	19
Controls .....	20
Inspections .....	25
Operating Instructions .....	37
Transport and Lifting Instructions .....	43
Maintenance .....	46
Specifications .....	48

---

### TEREX Global GmbH

Bleicheplatz 2  
8200 Schaffhausen  
Switzerland

#### Technical Assistance Service

Telephone: +39 075 9418129

+39 075 9418175

e-mail: [UMB.Service@terex.com](mailto:UMB.Service@terex.com)

---

### Copyright © 2018 by Terex Corporation

First Edition: Second Printing, August 2018

Genie and "Z" are registered trademarks of Terex South Dakota, Inc. in the U.S.A. and many other countries.

These machines comply with  
ANSI/SIA 92.5  
CAN B.354.4

# Introduction

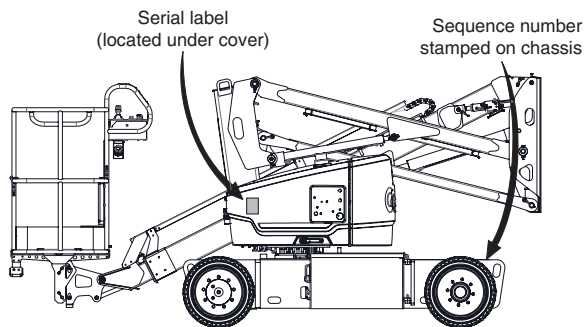
## About this manual

Genie appreciates your choice of our machine for your application. Our number one priority is user safety, which is best achieved by our joint efforts. This book is an operation and daily maintenance manual for the user or operator of a Genie machine.

This manual should be considered a permanent part of your machine and should remain with the machine at all times. If you have any questions, contact Genie.

## Product Identification

The machine serial number is located on the serial label.



## Intended Use

This machine is intended to be used only to lift personnel, along with their tools and materials to an aerial work site.

## Bulletin Distribution and Compliance

Safety of product users is of paramount importance to Genie. Various bulletins are used by Genie to communicate important safety and product information to dealers and machine owners.

The information contained in the bulletins is tied to specific machines using the machine model and serial number.

Distribution of bulletins is based on the most current owner on record along with their associated dealer, so it is important to register your machine and keep your contact information up to date.

To ensure safety of personnel and the reliable continued operation of your machine, be sure to comply with the action indicated in a respective bulletin.

---

# Introduction

## Contacting the Manufacturer

At times it may be necessary to contact Genie. When you do, be ready to supply the model number and serial number of your machine, along with your name and contact information. At minimum, Genie should be contacted for:

Accident reporting

Questions regarding product applications and safety

Standards and regulatory compliance information

Current owner updates, such as changes in machine ownership or changes in your contact information. See Transfer of Ownership, below.

## Transfer of Machine Ownership

Taking a few minutes to update owner information will ensure that you receive important safety, maintenance and operating information that applies to your machine.

Please register your machine by visiting us on the web at [www.genielift.com](http://www.genielift.com).

---

# Introduction



---

## Danger

Failure to obey the instructions and safety rules in this manual will result in death or serious injury.

---

## Do Not Operate Unless:

- ☑ You learn and practice the principles of safe machine operation contained in this operator's manual.

### 1 Avoid hazardous situations.

**Know and understand the safety rules before going on to the next section.**

- 2 Always perform a pre-operation inspection.
  - 3 Always perform function tests prior to use.
  - 4 Inspect the workplace.
  - 5 Only use the machine as it was intended.
- ☑ You read, understand and obey the manufacturer's instructions and safety rules—safety and operator's manuals and machine decals.
  - ☑ You read, understand and obey employer's safety rules and work site regulations.
  - ☑ You read, understand and obey all applicable governmental regulations.
  - ☑ You are properly trained to safely operate the machine.

---

# Introduction

## Safety Sign Maintenance

Replace any missing or damaged safety signs. Keep operator safety in mind at all times. Use mild soap and water to clean safety signs. Do not use solvent-based cleaners because they may damage the safety sign material.

## Hazard Classification

Decals on this machine use symbols, color coding and signal words to identify the following:



Safety alert symbol—used to alert personnel to potential personal injury hazards. Obey all safety messages that follow this symbol to avoid possible injury or death.



Indicates an imminently hazardous situation which, if not avoided, will result in death or serious injury.



Indicates a hazardous situation which, if not avoided, could result in death or serious injury.



Indicates a hazardous situation which, if not avoided, may cause minor or moderate injury.



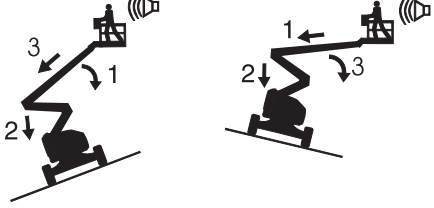


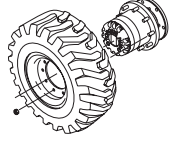





Indicates a property damage message.

# Symbol and Hazard Pictorials Definitions

				
Crush hazard	Explosion hazard	Collision hazard	Collision hazard	Runaway Hazard
				
Tip-over hazard	Tip-over hazard	Raise platform on firm, level surface	Electrocution hazard	Maintain required clearance
				
Color Coded Direction Arrows	Maximum capacity	Wind speed	Manual force	Only trained maintenance personnel should access compartments
				
Electrocution hazard	Grounded AC 3-wire outlet only	Replace damaged wires and cords	Batteries used as counterweight	Burn hazard

# Symbol and Hazard Pictorials Definitions

 <p>No smoking No flame Stop engine</p>	 <p>Read the operator's manual</p>	<p>Recovery procedure if tilt alarm sounds while elevated.</p>  <p>Platform uphill: 1 Lower primary 2 Lower secondary 3 Retract primary</p> <p>Platform downhill: 1 Retract primary 2 Lower secondary 3 Lower primary</p>		 <p>Wheel load</p>
 <p>Lanyard anchorage point</p>	 <p>Replace tires with tires of same specification.</p>	 <p>Voltage rating for power to platform</p>	 <p>Pressure rating for air line to platform</p>	 <p>No smoking</p>




# General Safety


## Safety Signs and Locations

31060

**⚠ DANGER**



**Tip-over Hazard**  
Altering or disabling limit switches can result in machine tip-over. Machine tip-over will result in death or serious injury.




**Do not alter or disable limit switch(s).**


31060 C

114390

**⚠ DANGER**



**Electrocution Hazard**  
Death or injury can result from contacting electric power lines.  
Always contact the electric power line owner. The electric power shall be disconnected or the power lines moved or insulated before machine operations begin.



Maintain required clearance.	
Line Voltage	Required Clearance
0 to 50kV	10 ft / 3.0 m
50 to 200kV	15 ft / 4.6 m
200 to 350kV	20 ft / 6.1 m
350 to 500kV	25 ft / 7.6 m
500 to 750kV	35 ft / 10.6 m
750 to 1000kV	45 ft / 13.7 m

114390 A

31788

**⚠ DANGER**



**Explosion/Burn Hazard**  
Battery explosion and/or contact with corrosive acid will result in death or serious injury.




Keep all open flames and sparks away.

Wear appropriate personal protective equipment, including gloves, face shield and long sleeve shirt.  
Read manuals. If you do not understand the information in the manuals, consult your supervisor, the owner or the manufacturer.


31788 D

31508

**⚠ DANGER**



**Electrocution / Fire Hazard**  
Death or serious injury will result from use of improper or damaged cord and outlet.




Connect charger to a grounded AC 3-wire electrical outlet only.

Before each use, inspect for damaged cord, cables and wires. Replace damaged items before operating.


31508 D


31787

**⚠ DANGER**



**Tip-over Hazard**  
Tipping over this machine will result in death or serious injury.


Minimum battery weight:  
 ≥ 105 lbs / 47.6 kg

Minimum battery box weight:  
 ≥ 530 lbs / 240.4 kg


31787 G

1261933

**⚠ DANGER**



**Tip-over Hazard**  
Tipping over this machine will result in death or serious injury.



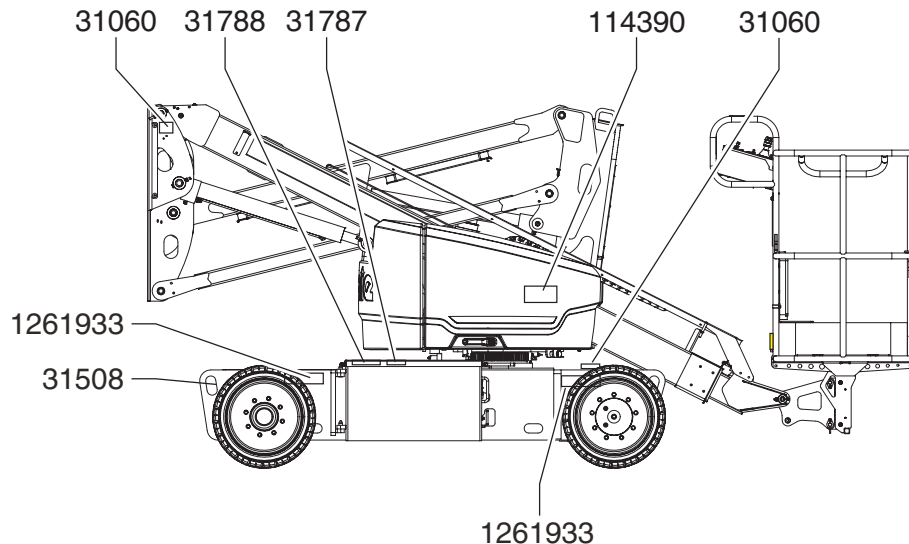
Do not replace factory installed tires with tires of a different specification or ply rating.

**Solid Rubber NM Tires**  
Tire size: 22x9x17

**Tire Contact Pressure**  
70 psi / 483 kPa

**Wheel Lug Torque**  
Dry: 125 ft-lbs / 169 Nm  
Lubricated: 94 ft-lbs / 127 Nm

1261933 B

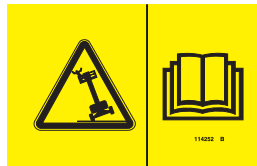




# General Safety

## Safety Signs and Locations

114252



133067



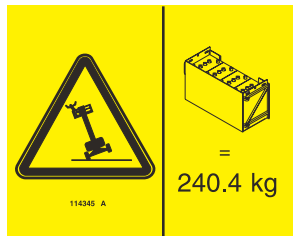
114334



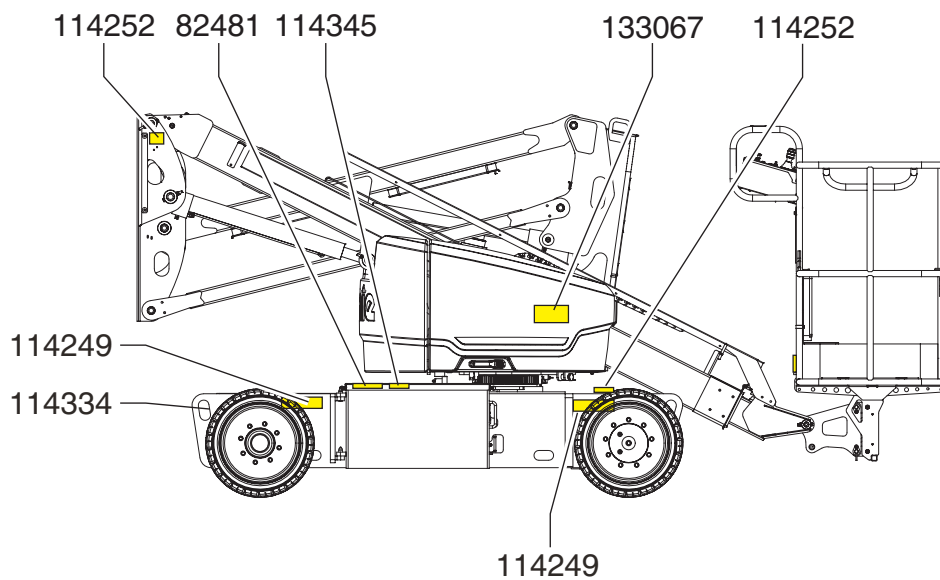
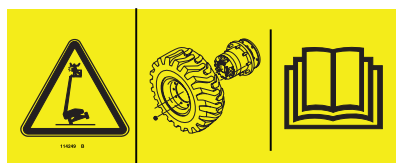
82481



114345

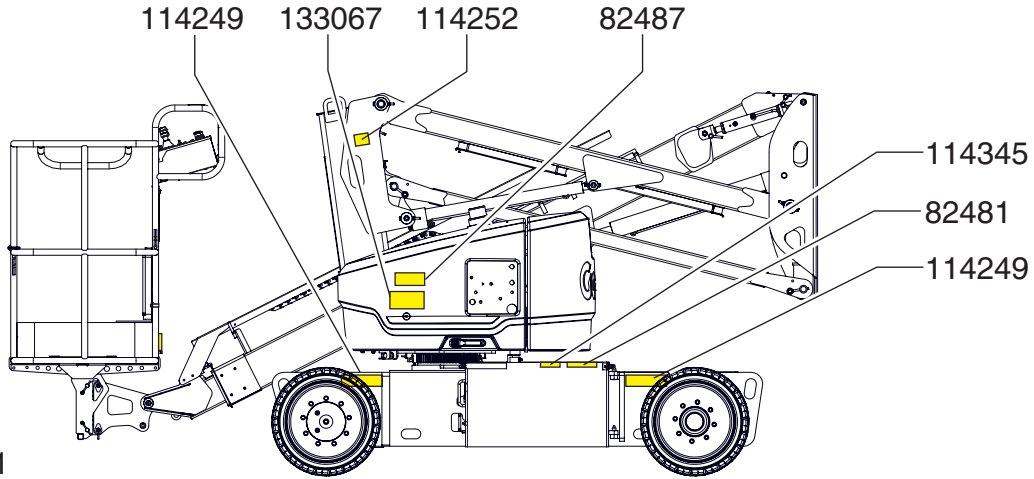


114249

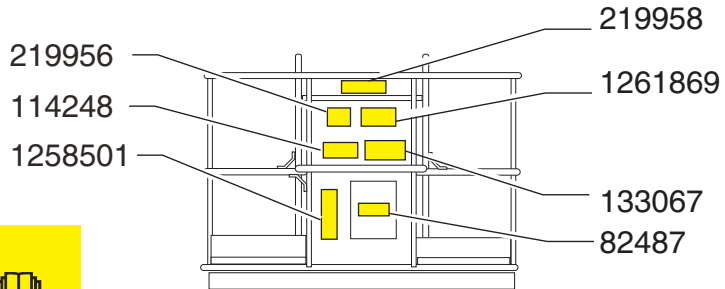


# General Safety

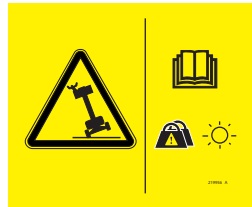
## Safety Signs and Locations



1258501



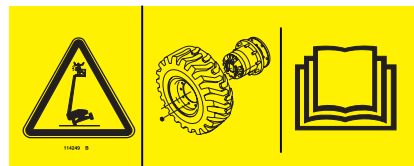
219956



1261869



114249



219958



82487



114248



---

# Personal Safety

## Personal Fall Protection

Personal fall protection equipment (PFPE) is required when operating this machine.

Occupants must wear a safety belt or harness in accordance with governmental regulations. Attach the lanyard to the anchor provided in the platform.

Operators must comply with employer, job site and governmental rules regarding the use of personal protective equipment.

All PFPE must comply with applicable governmental regulations, and must be inspected and used in accordance with the PFPE manufacturer's instructions.

# Work Area Safety

## ⚠️ Electrocuting Hazards

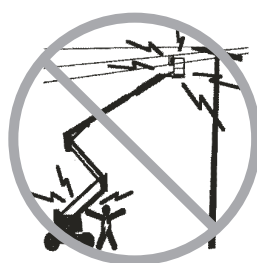
This machine is not electrically insulated and will not provide protection from contact with or proximity to electrical current.



Obey all local and governmental regulations regarding required clearance from electrical power lines. At a minimum, the required clearance contained in the chart below must be followed.

Line Voltage	Required Clearance	
0 to 50KV	10 ft	3.05 m
50 to 200KV	15 ft	4.60 m
200 to 350KV	20 ft	6.10 m
350 to 500KV	25 ft	7.62 m
500 to 750KV	35 ft	10.67 m
750 to 1000KV	45 ft	13.72 m

Allow for platform movement, electrical line sway or sag, and beware of strong or gusty winds.



Keep away from the machine if it contacts energized power lines. Personnel on the ground or in the platform must not touch or operate the machine until energized power lines are shut off.

Do not operate the machine during lightning or storms.

Do not use the machine as a ground for welding.

## ⚠️ Tip-over Hazards

Occupants, equipment and materials shall not exceed the maximum platform capacity or the maximum platform capacity of the platform extension.

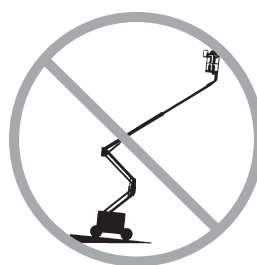
<b>Maximum platform capacity</b>	440 lbs / 200 kg
<b>Maximum occupants</b>	2

The weight of options and accessories, such as pipe cradles, panel cradles and welders, will reduce the rated platform capacity and must be subtracted from the platform capacity. See the decals with the options and accessories.

If using accessories, read, understand and obey the decals, instructions and manuals with the accessory.

Do not alter or disable the limit switches.

Do not raise or extend the boom unless the machine is on a firm, level surface.

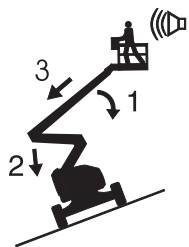


Do not depend on the tilt alarm as a level indicator. The tilt alarm sounds in the platform only when the machine is on a severe slope.

## Work Area Safety

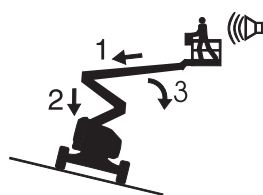
If the tilt alarm sounds while the boom is lowered: do not extend, rotate or raise the boom above horizontal. Move the machine to a firm, level surface before raising the platform.

If the tilt alarm sounds when the platform is raised, use extreme caution. The Machine Not Level indicator light will come on and the drive function in one or both directions will not operate. Identify the condition of the boom on the slope as shown below. Follow the steps to lower the boom before moving to a firm, level surface. Do not rotate the boom while lowering.



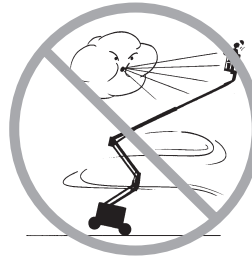
If the tilt alarm sounds with the platform uphill:

- 1 Lower the primary boom.
- 2 Lower the secondary boom.
- 3 Retract the primary boom.



If the tilt alarm sounds with the platform downhill:

- 1 Retract the primary boom.
- 2 Lower the secondary boom.
- 3 Lower the primary boom.



Do not raise the boom when wind speeds may exceed 12.5 m/s. If wind speeds exceed 12.5 m/s when the boom is raised, lower the boom and do not continue to operate the machine.

Do not operate the machine in strong or gusty winds. Do not increase the surface area of the platform or the load. Increasing the area exposed to the wind will decrease machine stability.



Use extreme care and slow speeds while driving the machine in the stowed position across uneven terrain, debris, unstable or slippery surfaces and near holes and drop-offs.

Do not drive the machine on or near uneven terrain, unstable surfaces or other hazardous conditions with the boom raised or extended.

Do not use the machine as a crane.

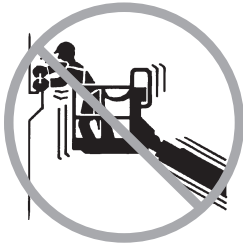
Do not push the machine or other objects with the boom.

Do not contact adjacent structures with the boom.

## Work Area Safety

Do not tie the boom or platform to adjacent structures.

Do not place loads outside the platform perimeter.



Do not push off or pull toward any object outside of the platform.

**Maximum allowable manual force**  
150 lbs / 667 N

Do not alter or disable machine components that in any way affect safety and stability.

Do not replace items critical to machine stability with items of different weight or specification.

Do not replace factory-installed tires with tires of different specification or ply rating.

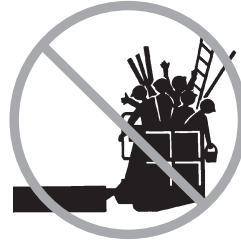
Do not use air-filled tires. These machines are equipped with solid tires.

Wheel weight and proper counterweight configuration are critical to stability.

Do not modify or alter an aerial work platform without prior written permission from the manufacturer. Mounting attachments for holding tools or other materials onto the platform, toeboards or guard rail system can increase the weight in the platform and the surface area of the platform or the load.



Do not place or attach fixed or overhanging loads to any part of this machine.



Do not place ladders or scaffolds in the platform or against any part of this machine.

Do not transport tools and materials unless they are evenly distributed and can be safely handled by person(s) in the platform.

Do not use the machine on a moving or mobile surface or vehicle.

Be sure all tires are in good condition and lug nuts are properly tightened.

Do not use the platform controls to free a platform that is caught, snagged or otherwise prevented from normal motion by an adjacent structure. All personnel must be removed from the platform before attempting to free the platform using the ground controls.

Do not use batteries that weigh less than the original equipment. Batteries are used as counterweight and are critical to machine stability.

Each battery must weigh a minimum of 105 lbs / 47.6 kg. Each battery box including batteries must weigh a minimum of 530 lbs / 240.4 kg.



# Work Area Safety

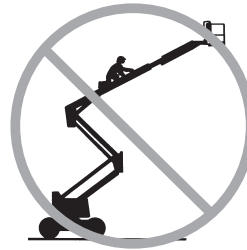
## Operation on Slopes Hazards

Do not drive the machine on a slope that exceeds the maximum uphill, downhill or side slope rating of the machine. Slope rating applies only to machines in the stowed position.

### Maximum slope rating, stowed position

Platform downhill	30%	(17°)
Platform uphill	20%	(11°)
Side slope	25%	(14°)

Note: Slope rating is subject to ground conditions and adequate traction. See Driving on a Slope in the Operating Instructions section.



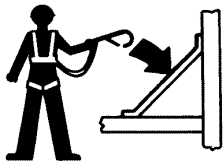
Do not climb down from the platform when raised.

Keep the platform floor clear of debris.

Lower the platform entry mid-rail or close the entry gate before operating.

Do not enter or exit the platform unless the machine is in the stowed position and the platform is at ground level.

## Fall Hazards

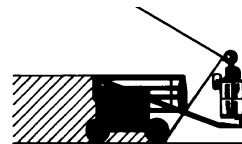


Occupants must wear a safety belt or harness in accordance with governmental regulations. Attach the lanyard to the anchor provided in the platform.



Do not sit, stand or climb on the platform guard rails. Maintain a firm footing on the platform floor at all times.

## Collision Hazards



Be aware of limited sight distance and blind spots when driving or operating.

Be aware of the boom position and tailswing when rotating the turntable.



Check the work area for overhead obstructions or other possible hazards.

## Work Area Safety



Be aware of crushing hazards when grasping the platform guard rail.

Operators must comply with employer, job site and governmental rules regarding use of personal protective equipment.

Observe and use the color-coded direction arrows on the platform controls and drive chassis for drive and steer functions.



Do not lower the boom unless the area below is clear of personnel and obstructions.



Limit travel speed according to the condition of the ground surface, congestion, slope, location of personnel, and any other factors which may cause collision.

Do not operate a boom in the path of any crane unless the controls of the crane have been locked out and/or precautions have been taken to prevent any potential collision.

No stunt driving or horseplay while operating a machine.

### Bodily Injury Hazard

Do not operate the machine with a hydraulic oil or air leak. An air leak or hydraulic leak can penetrate and/or burn skin.

Improper contact with components under any cover will cause serious injury. Only trained maintenance personnel should access compartments. Access by the operator is only advised when performing a pre-operation inspection. All compartments must remain closed and secured during operation.

### Explosion and Fire Hazards

Charge the batteries only in an open, well-ventilated area away from sparks, flames and lighted tobacco.

Do not operate the machine or charge the batteries in hazardous locations or locations where potentially flammable or explosive gases or particles may be present.

---

## Work Area Safety

### Damaged Machine Hazards

Do not use a damaged or malfunctioning machine.

Conduct a thorough pre-operation inspection of the machine and test all functions before each work shift. Immediately tag and remove from service a damaged or malfunctioning machine.

Be sure all maintenance has been performed as specified in this manual and the appropriate Genie service manual.

Be sure all decals are in place and legible.

Be sure the operator's, safety and responsibilities manuals are complete, legible and in the storage container located on the platform.

### Component Damage Hazards

Do not use the machine as a ground for welding.

When the boom is not completely retracted, some machine components may collide with the ground or the chassis. Be careful while the platform is approaching to the ground.

### Lockout After Each Use

- 1 Select a safe parking location—firm level surface, clear of obstruction and traffic.
- 2 Retract and lower the boom to the stowed position.
- 3 Rotate the turntable so that the boom is between the non-steer wheels.
- 4 Turn the key switch to the off position and remove the key to secure from unauthorized use.

# Work Area Safety

## Battery Safety

### Burn Hazards



Batteries contain acid. Always wear protective clothing and eye wear when working with batteries.

Avoid spilling or contacting battery acid. Neutralize battery acid spills with baking soda and water.

The battery pack must remain in the upright position.

Do not expose the batteries or the charger to water or rain.

### Explosion Hazards



Keep sparks, flames and lighted tobacco away from batteries. Batteries emit an explosive gas.

The battery pack cover must remain off during the entire charging cycle.

Do not contact the battery terminals or the cable clamps with tools that may cause sparks.

### Component Damage Hazards

Do not use any battery charger greater than 48V to charge the batteries.

Both battery packs must be charged together.

Disconnect the battery pack plug before removing the battery pack.

### Electrocution Hazards



Connect the battery charger to a grounded, AC 3-wire electrical outlet only.

Inspect daily for damaged cord, cables and wires. Replace damaged items before operating.

Avoid electrical shock from contact with battery terminals. Remove all rings, watches and other jewelry.

### Tip-over Hazards

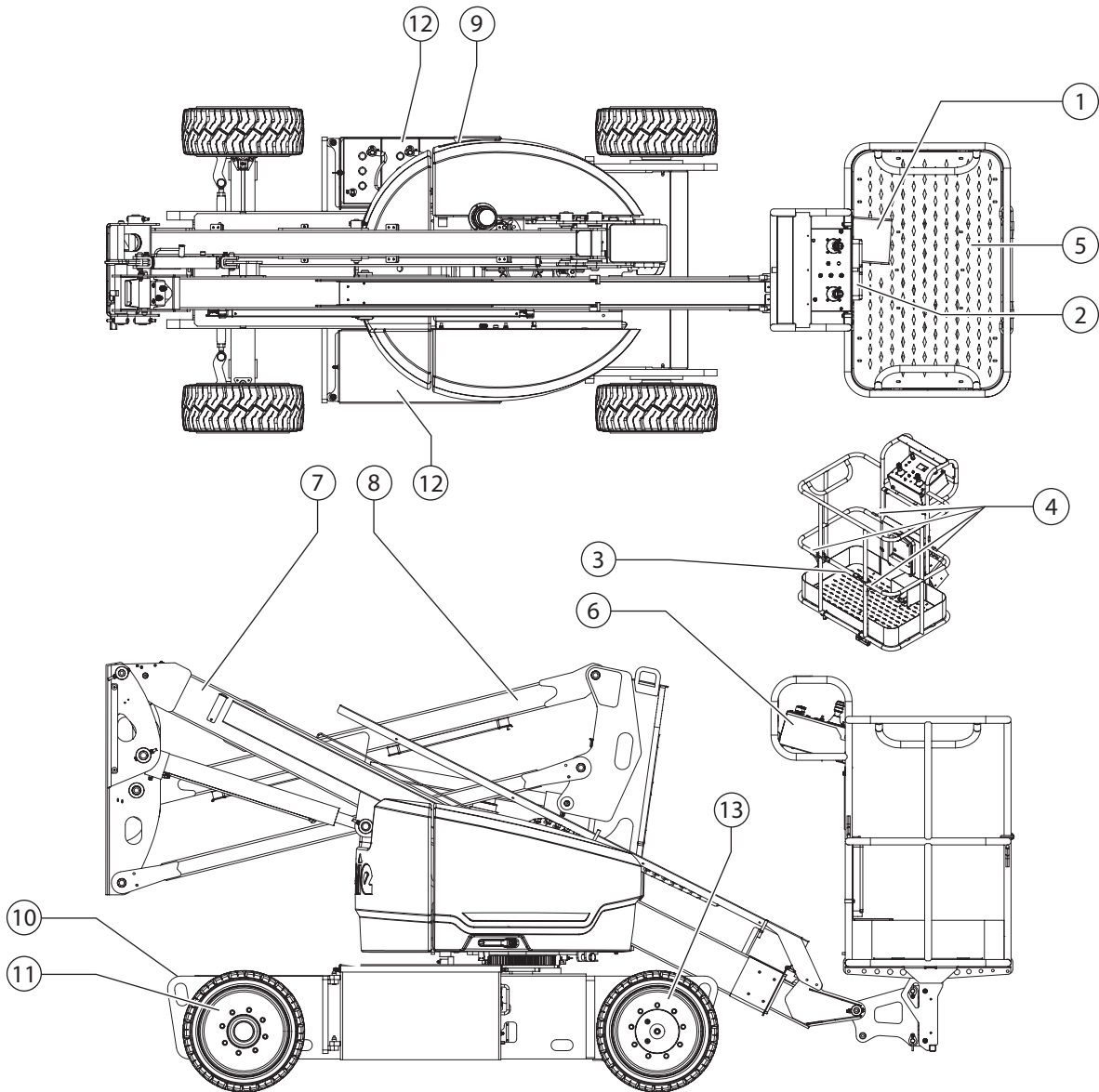
Do not use batteries that weigh less than the original equipment. Batteries are used as counterweight and are critical to machine stability.

Each battery must weigh a minimum of 105 lbs / 47.6 kg. Each battery box including batteries must weigh a minimum of 530 lbs / 240.4 kg.

### Lifting Hazards

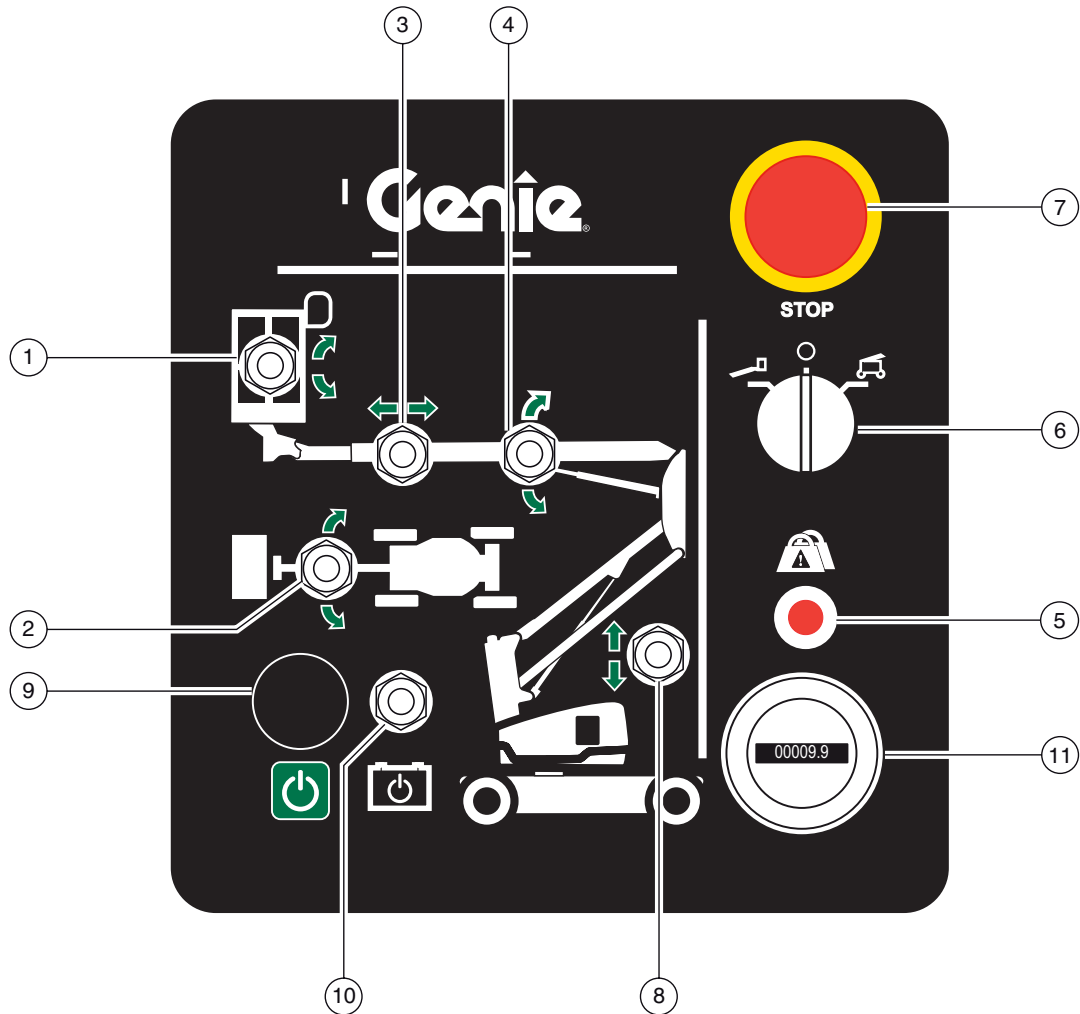
Use a forklift to remove or install the battery packs.

# Legend



- |                            |                                     |
|----------------------------|-------------------------------------|
| 1 Foot switch              | 8 Secondary boom                    |
| 2 Manual storage container | 9 Ground controls                   |
| 3 Sliding mid-rail         | 10 Power to charger (between tires) |
| 4 Lanyard anchorage point  | 11 Steer tire                       |
| 5 Platform                 | 12 Battery box                      |
| 6 Platform controls        | 13 Non-steer tire                   |
| 7 Primary boom             |                                     |

# Controls



## Ground Control Panel

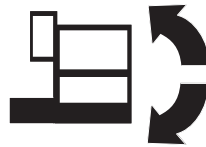
- |  |                              |
|--|------------------------------|
| 1 Platform level switch                        | 10 Emergency lowering switch |
| 2 Turntable rotate switch                      | 11 Hour meter                |
| 3 Primary boom extend/retract switch           |                              |
| 4 Primary boom up/down switch                  |                              |
| 5 Not used                                     |                              |
| 6 Key switch for platform/off/ground selection |                              |
| 7 Red Emergency Stop button                    |                              |
| 8 Secondary boom up/down switch                |                              |
| 9 Function enable button                       |                              |

# Controls

## Ground Control Panel

### 1 Platform level switch

Move the platform level switch up and the level of the platform will raise. Move the platform level switch down and the level of the platform will lower.



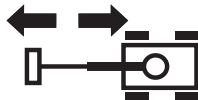
### 2 Turntable rotate switch

Move the turntable rotate switch to the down and the turntable will rotate to the right. Move the turntable rotate switch to the up and the turntable will rotate to the left.



### 3 Primary boom extend/retract switch

Move the primary boom extend/retract switch to the right and the primary boom will retract. Move the boom extend/retract switch to the left and the primary boom will extend.



### 4 Primary boom up/down switch

Move the primary boom up/down switch up and the boom will raise. Move the primary boom up/down switch down and the boom will lower.



### 5 Not used

### 6 Key switch for platform/off/ground selection

Turn the key switch to the platform position and the platform controls will operate. Turn the key switch to the off position and the machine will be off. Turn the key switch to the ground position and the ground controls will operate.

### 7 Red Emergency Stop button

Push in the red Emergency Stop button to the off position to stop all functions. Pull out the red Emergency Stop button to the on position to operate the machine.

### 8 Secondary boom up/down switch

Move the secondary boom up/down switch up and the secondary boom will raise. Move secondary boom up/down switch down and the secondary boom will lower.



### 9 Function enable button

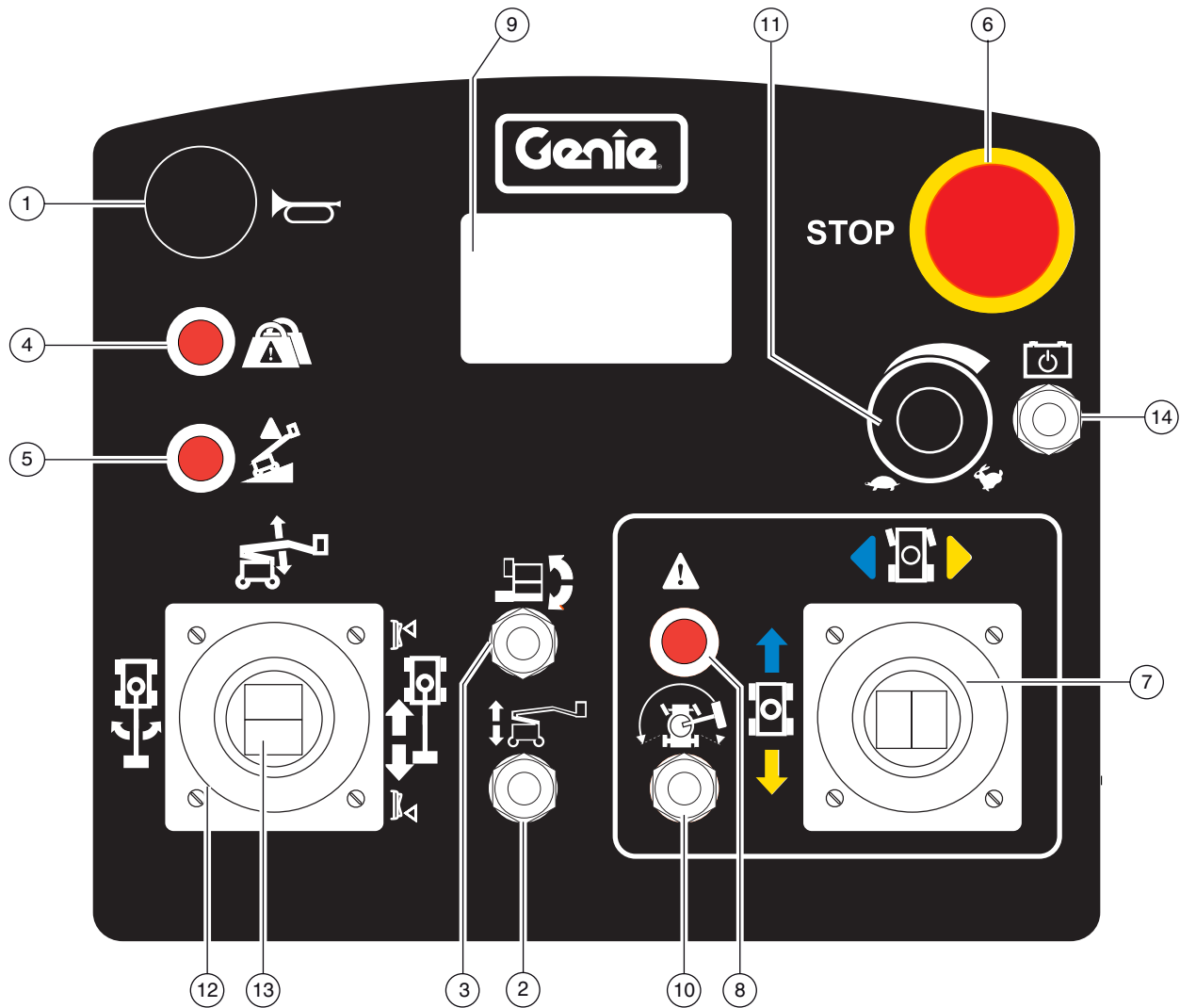
Press and hold the function enable button to enable the functions on the ground control panel to operate.

### 10 Emergency lowering switch

Use emergency power if the primary power source fails. Simultaneously hold the emergency lowering switch to either side and activate the desired function.

### 11 Hour meter

# Controls



## Platform Control Panel

- |   |  |    |  |
|---|--|----|--|
| 1 | Horn button  | 9  | LCD display  |
| 2 | Secondary boom up/down switch  | 10 | Drive enable switch  |
| 3 | Platform level switch  | 11 | Boom function speed controller   |
| 4 | Not used   | 12 | Dual axis proportional control handle for primary boom up/down and turntable rotate left/right functions |
| 5 | Machine not level indicator light  | 13 | Thumb rocker switch for primary boom extend/retract function   |
| 6 | Red Emergency Stop button  | 14 | Emergency lowering switch  |
| 7 | Proportional control handle for drive function and thumb rocker for steer function |    |  |
| 8 | Drive enable indicator light   |    |  |



# Controls

## Platform Control Panel

### 1 Horn button

Press this button and the horn will sound. Release the button and the horn will stop.

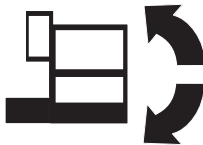
### 2 Secondary boom up/down switch

Move the switch up and the secondary boom will raise. Move the switch down and the secondary boom will lower.



### 3 Platform level switch

Move the platform level switch up and the level of the platform will raise. Move the platform level switch down and the level of the platform will lower.



### 4 Not used

### 5 Machine not level indicator light

Light is on when the platform is raised and the machine is on a severe slope. The drive function in one or both directions will not operate.

### 6 Red Emergency Stop button

Push in the red Emergency Stop button to the off position to stop all functions. Pull out the red Emergency Stop button to the on position to operate the machine.

### 7 Proportional control handle for drive function and thumb rocker for steer function

Move the control handle in the direction indicated by the blue arrow on the control panel and the machine will drive forward. Move the control handle in the direction indicated by the yellow arrow and the machine will drive backwards.

Press the left side of the thumb rocker and the machine will steer to the left. Press the right side of the thumb rocker and the machine will steer to the right.

### 8 Drive enable indicator light

Light on indicates that the boom has moved just past either non-steer wheel and drive function has been interrupted.

### 9 LCD Display

Display screen for system fault information and battery charge level.

### 10 Drive enable switch

To drive when the drive enable light is on, hold the drive enable switch to either side and slowly move the drive control handle off center. Be aware that the machine may move in the opposite direction that the drive and steer controls are moved.

### 11 Boom function speed controller

Turn the dial to increase or decrease the speed of the machine functions.

## Controls

- 12 Dual axis proportional control handle for primary boom up/down and turntable rotate left/right functions

Move the control handle up and the primary boom will raise. Move the control handle down and the primary boom will lower.



Move the control handle to the right and the turntable will rotate to the right. Move the control handle to the left and the turntable will rotate to the left.



- 13 Thumb rocker switch for primary boom extend/retract function

Press the bottom of the thumb rocker switch to extend the primary boom. Press the top of the thumb rocker switch to retract the primary boom.



- 14 Emergency lowering switch

Use emergency power if the primary power source fails. Simultaneously hold the emergency lowering switch to either side and activate the desired function.

# Inspections



---

## Do Not Operate Unless:

- ☑ You learn and practice the principles of safe machine operation contained in this operator's manual.
  - 1 Avoid hazardous situations.
  - 2 **Always perform a pre-operation inspection.**

**Know and understand the pre-operation inspection before going on to the next section.**
  - 3 Always perform function tests prior to use.
  - 4 Inspect the workplace.
  - 5 Only use the machine as it was intended.

## Pre-operation Inspection Fundamentals

It is the responsibility of the operator to perform a pre-operation inspection and routine maintenance.

The pre-operation inspection is a visual inspection performed by the operator prior to each work shift. The inspection is designed to discover if anything is apparently wrong with a machine before the operator performs the function tests.

The pre-operation inspection also serves to determine if routine maintenance procedures are required. Only routine maintenance items specified in this manual may be performed by the operator.

Refer to the list on the next page and check each of the items.

If damage or any unauthorized variation from factory delivered condition is discovered, the machine must be tagged and removed from service.

Repairs to the machine may only be made by a qualified service technician, according to the manufacturer's specifications. After repairs are completed, the operator must perform a pre-operation inspection again before going on to the function tests.

Scheduled maintenance inspections shall be performed by qualified service technicians, according to the manufacturer's specifications and the requirements listed in the responsibilities manual.

# Inspections

## Pre-operation Inspection

- Be sure that the operator's, safety and responsibilities manuals are complete, legible and in the storage container located in the platform.
- Be sure that all decals are legible and in place. See Inspections section.
- Check for hydraulic oil leaks and proper oil level. Add oil if needed. See Maintenance section.
- Check for battery fluid leaks and proper fluid level. Add distilled water if needed. See Maintenance section.

Check the following components or areas for damage, improperly installed or missing parts and unauthorized modifications:

- Electrical components, wiring and electrical cables
- Hydraulic hoses, fittings, cylinders and manifolds
- Hydraulic tank
- Drive and turntable motors and drive hubs
- Wear pads
- Tires and wheels
- Limit switches and horn
- Alarms and beacons (if equipped)

- Nuts, bolts and other fasteners
- Ground strap
- Platform entry mid-rail or gate
- Lanyard anchorage points

Check entire machine for:

- Cracks in welds or structural components
- Dents or damage to machine
- Excessive rust, corrosion or oxidation
- Be sure that all structural and other critical components are present and all associated fasteners and pins are in place and properly tightened.
- Be sure that both battery packs are in place and properly connected.
- After you complete your inspection, be sure that all compartment covers are in place and latched.

---

# Inspections



---

## Do Not Operate Unless:

- ☑ You learn and practice the principles of safe machine operation contained in this operator's manual.
  - 1 Avoid hazardous situations.
  - 2 Always perform a pre-operation inspection.
  - 3 Always perform function tests prior to use.**

**Know and understand the function tests before going on to the next section.**
  - 4 Inspect the workplace.
  - 5 Only use the machine as it was intended.

## Function Test Fundamentals

The function tests are designed to discover any malfunctions before the machine is put into service. The operator must follow the step-by-step instructions to test all machine functions.

A malfunctioning machine must never be used. If malfunctions are discovered, the machine must be tagged and removed from service. Repairs to the machine may only be made by a qualified service technician, according to the manufacturer's specifications.

After repairs are completed, the operator must perform a pre-operation inspection and function tests again before putting the machine into service.

# Inspections


## At the Ground Controls

- 1 Select a test area that is firm, level and free of obstruction.
  - 2 Turn the key switch to ground control.
  - 3 Pull out the red Emergency Stop button to the on position.
- ⦿ Result: The beacon (if equipped) should flash.

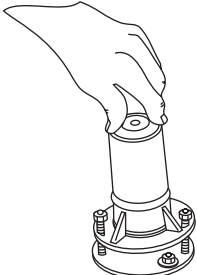
## Test Emergency Stop

- 4 Push in the red Emergency Stop button to the off position.
- ⦿ Result: All functions should not operate.
- 5 Pull out the red Emergency Stop button to the on position.


## Test Machine Functions

- 6 Do not push and hold the function enable button. Attempt to activate each boom and platform function toggle switch. 
- ⦿ Result: No boom and platform functions should operate.
- 7 Press and hold the function enable button and activate each boom and platform function toggle switch.
- ⦿ Result: All boom and platform functions should operate through a full cycle. The descent alarm should sound while the boom is lowering.

## Test Machine Functions

- 8 Pull out the platform red Emergency Stop button to the on position. Turn the key switch to platform control
  - 9 Open the turntable cover on the side of the ground controls and locate the tilt sensor. 
  - 10 Press down one side of the tilt sensor.
- ⦿ Result: The alarm, located in the platform, should sound.

## Test Emergency Controls

- 11 Turn the key switch to ground control.
- 12 Pull out the red Emergency Stop button to the on position.
- 13 Simultaneously hold the emergency power switch on and activate each boom function toggle switch. 

Note: To conserve battery power, test each function through a partial cycle.

- ⦿ Result: All boom functions should operate.

# Inspections

## At the Platform Controls

- 14 Turn the key switch to platform control.
  - 15 Pull out in the platform red Emergency Stop button to the on position.
- ⦿ Result: SYSTEM READY will appear on the LCD display screen.

## Test Emergency Stop

- 16 Push in the platform red Emergency Stop button to the off position.
- ⦿ Result: The LCD display screen will be blank.
- 17 Test each machine function.
- ⦿ Result: All functions should not operate.
- 18 Pull out the red Emergency Stop button.

## Test the Horn

- 19 Press the horn button.
- ⦿ Result: The horn should sound.

## Test the Foot Switch

- 20 Do not press down the foot switch and test each machine function.
- ⦿ Result: No functions should operate.

## Test Machine Functions

- 21 Press down the foot switch.
  - 22 Activate each machine function control handle or toggle switch.
- ⦿ Result: All boom and platform functions should operate through a full cycle. The descent alarm should sound while the boom is lowering.

## Test the Steering

- 23 Press down the foot switch.
  - 24 Press the thumb rocker switch on top of the drive control handle in the direction indicated by the blue triangle on the control panel.
- ⦿ Result: The steer wheels should turn in the direction that the blue triangles point on the drive chassis.
- 25 Press the thumb rocker switch in the direction indicated by the yellow triangle on the control panel.
- ⦿ Result: The steer wheels should turn in the direction that the yellow triangles point on the drive chassis.

# Inspections

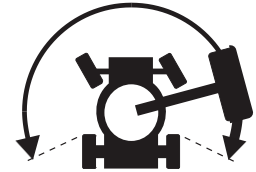
## Test Drive and Braking

- 26 Press down the foot switch.
- 27 Slowly move the drive control handle in the direction indicated by the blue arrow on the control panel until the machine begins to move, then return the handle to the center position.
- ⦿ Result: The machine should move in the direction that the blue arrow points on the drive chassis, then come to an abrupt stop.
- 28 Slowly move the control handle in the direction indicated by the yellow arrow on the control panel until the machine begins to move, then return the handle to the center position.
- ⦿ Result: The machine should move in the direction that the yellow arrow points on the drive chassis, then come to an abrupt stop.

Note: The brakes must be able to hold the machine on any slope it is able to climb.

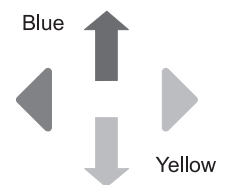
## Test the Drive Enable System

- 29 Press down the foot switch and lower the boom to the stowed position.
- 30 Rotate the turntable until the primary boom moves past one of the non-steer wheels.
- ⦿ Result: The drive enable indicator light should come on and remain on while the boom is anywhere in the range shown.
- 31 Move the drive control handle off center.
- ⦿ Result: The drive function should not operate.
- 32 Move the drive enable toggle switch to either side and slowly move the drive control handle off center.
- ⦿ Result: The drive function should operate.



Note: When the drive enable system is in use, the machine may drive in the opposite direction that the drive and steer control handle is moved.

Use the color-coded direction arrows on the platform controls and the drive chassis to identify the direction of travel.





## Inspections

### Test Limited Drive Speed

33 Press down the foot switch.

34 Raise the primary boom approximately 3 feet / 82 cm.

35 Slowly move the drive control handle to the full drive position.

⦿ Result: The maximum achievable drive speed with the primary boom raised should not exceed 0.79 foot / 24 cm/s.

36 Lower the primary boom to the stowed position.

37 Raise the secondary boom approximately 1.45 feet / 42 cm.

38 Slowly move the drive control handle to the full drive position.

⦿ Result: The maximum achievable drive speed with the secondary boom raised should not exceed 0.79 foot / 24 cm/s.

39 Lower the secondary boom to the stowed position.

40 Extend the primary boom approximately 0.5 foot / 10 cm.

41 Slowly move the drive control handle to the full drive position.

⦿ Result: The maximum achievable drive speed with the primary boom extended should not exceed 0.79 foot / 24 cm/s.

42 Retract the boom to the stowed position.

If the drive speed with the primary boom raised, the secondary boom raised or the primary boom extended exceeds 0.79 foot / 24 cm/s, immediately tag and remove the machine from service.

43 Rotate the turntable until the primary boom moves past one of the non-steer wheels.

44 Extend the primary boom approximately 0.5 foot / 10 cm.

45 Slowly move the drive control handle to the full drive position.

⦿ Result: The maximum achievable drive speed with the primary boom extended should not exceed 0.21 foot / 6.5 cm/s.

If the drive speed with the primary boom moved past one of the non-steer wheels and the primary boom extended exceeds 0.21 foot / 6.5 cm/s, immediately tag and remove the machine from service.

### Test Emergency Controls

46 Pull out the red Emergency Stop button to the on position.

47 Press down the foot switch.

48 Simultaneously hold the emergency power switch on and activate each boom function toggle switch.



Note: To conserve battery power, test each function through a partial cycle.

⦿ Result: All boom functions should operate. Drive functions should not operate with auxiliary power.

### Test the Lift/Drive Select Function

49 Press down the foot switch.

50 Move the drive control handle off center and activate a boom function toggle switch.

⦿ Result: No boom functions should operate. The machine will move in the direction indicated on the control panel.

Repair any malfunctions before operating the machine.

# Inspections



## Do Not Operate Unless:

- ☑ You learn and practice the principles of safe machine operation contained in this operator's manual.
  - 1 Avoid hazardous situations.
  - 2 Always perform a pre-operation inspection.
  - 3 Always perform function tests prior to use.
  - 4 **Inspect the workplace.**  
**Know and understand the workplace inspection before going on to the next section.**
  - 5 Only use the machine as it was intended.

## Workplace Inspection Checklist

Be aware of and avoid the following hazardous situations:

- drop-offs or holes
- bumps, floor obstructions or debris
- sloped surfaces
- unstable or slippery surfaces
- overhead obstructions and high voltage conductors
- hazardous locations
- inadequate surface support to withstand all load forces imposed by the machine
- wind and weather conditions
- the presence of unauthorized personnel
- other possible unsafe conditions

## Workplace Inspection Fundamentals

The workplace inspection helps the operator determine if the workplace is suitable for safe machine operation. It should be performed by the operator prior to moving the machine to the workplace.

It is the operator's responsibility to read and remember the workplace hazards, then watch for and avoid them while moving, setting up and operating the machine.


# Inspections

## Inspection for Decals with Words

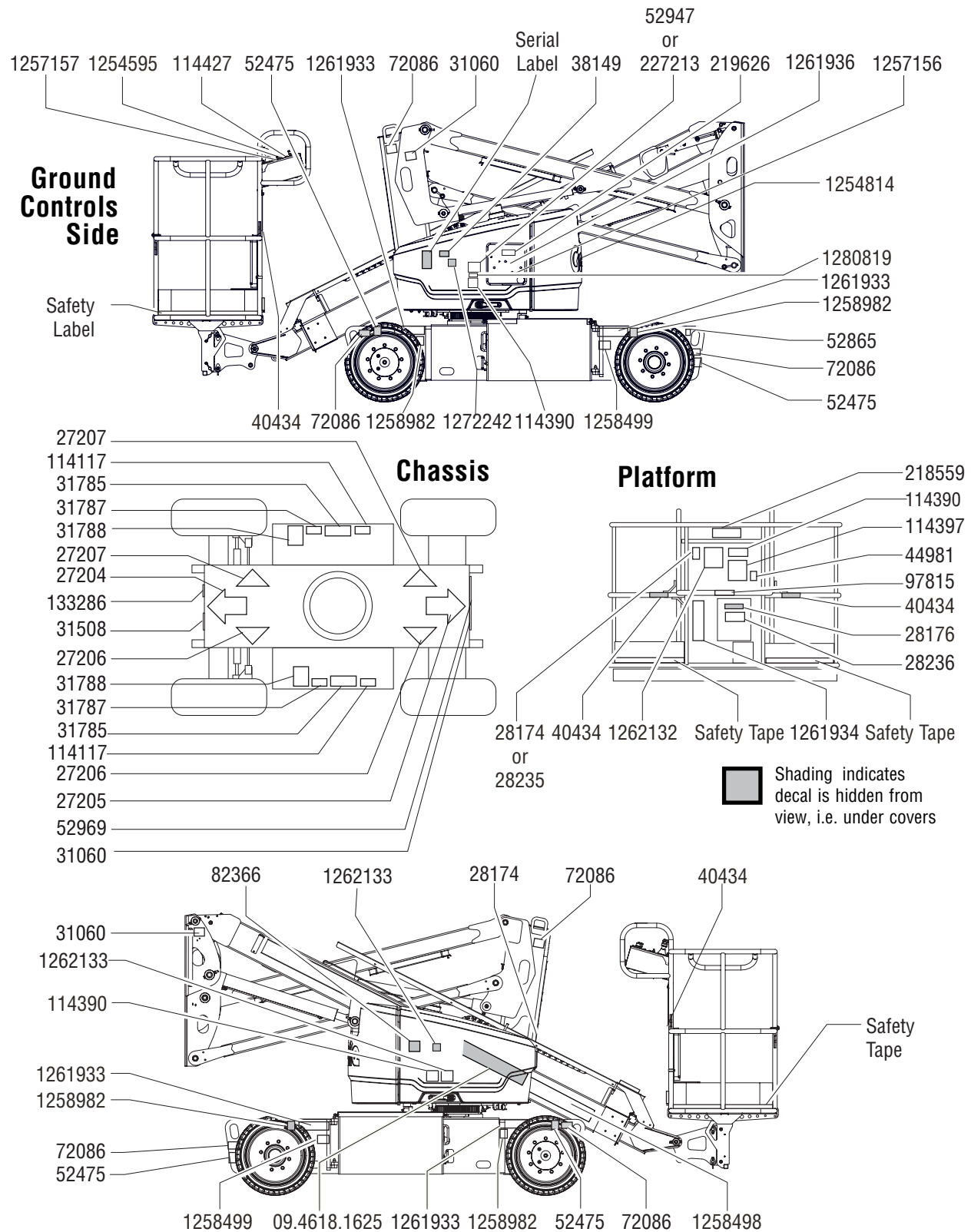
Determine whether the decals on your machine have words or symbols. Use the appropriate inspection to verify that all decals are legible and in place.

Part No.	Decal Description	Qty
27204	Arrow — Blue	1
27205	Arrow — Yellow	1
27206	Triangle — Blue	2
27207	Triangle — Yellow	2
28174	Label — Power to Platform, 230V	2
40434	Label — Lanyard Anchorage Point	4
133286	Label — Power to Charger, 230V	1
52969	Cosmetic — Genie Boom	1
1258498	Cosmetic — Z-33/18	1
31788	Danger — Battery Safety	2
28236	Warning — Improper Operation	1
218559	Danger, Warning — Tip-over, Crush Hazard	1
1261934	Danger, Tip-over Hazard, ANSI	1
97815	Label — Lower Mid-rail	1
1261933	Danger, Notice — Tire Specifications	4
31060	Danger — Tip-over Hazard, Limit Switch	3
114390	Danger — Electrocution Hazard	3
1257156	Ground Control Panel	1

Part No.	Decal Description	Qty
1257157	Platform Control Panel	1
1258982	Label — Wheel Load	4
1258499	Label — Lifting Diagram, Z-33/18	2
31508	Danger — Electrocution Hazard, AC Power Supply	1
31787	Danger — Tip-over Hazard, Batteries	2
1254595	Cosmetic — Genie	1
219626	Cosmetic — Genie	1
1254814	Cosmetic — Genie Blue	1
09.4618.1625	Label — Genie	1
52475	Label — Transport Tie-down	4
72086	Label — Lifting Point	6
1262132	Label — Runaway Hazard, Slope	1
1262133	Label — Do not use water	2
114427	Screen protector	1
28372	Notice — Battery Cables	1
72833	Label — Open	1
114117	Instructions — Battery Connection	1
31785	Instructions — Battery Charger	1
52865	Warning — Annual Inspection Record	1
38149	Label — Patent	1
1261936	Label — Relays	1
28176	Label — Missing Manuals	1
82366	Label — Chevron Rando	1
1272242	Label — Machine Registration Owner/Transfer	1
1280819	Warning — Cancer and Reproductive Harm, Prop 65 (US only)	1

 Shading indicates decal is hidden from view, i.e. under covers

# Inspections




## Inspections

### Inspection for Decals with Symbols

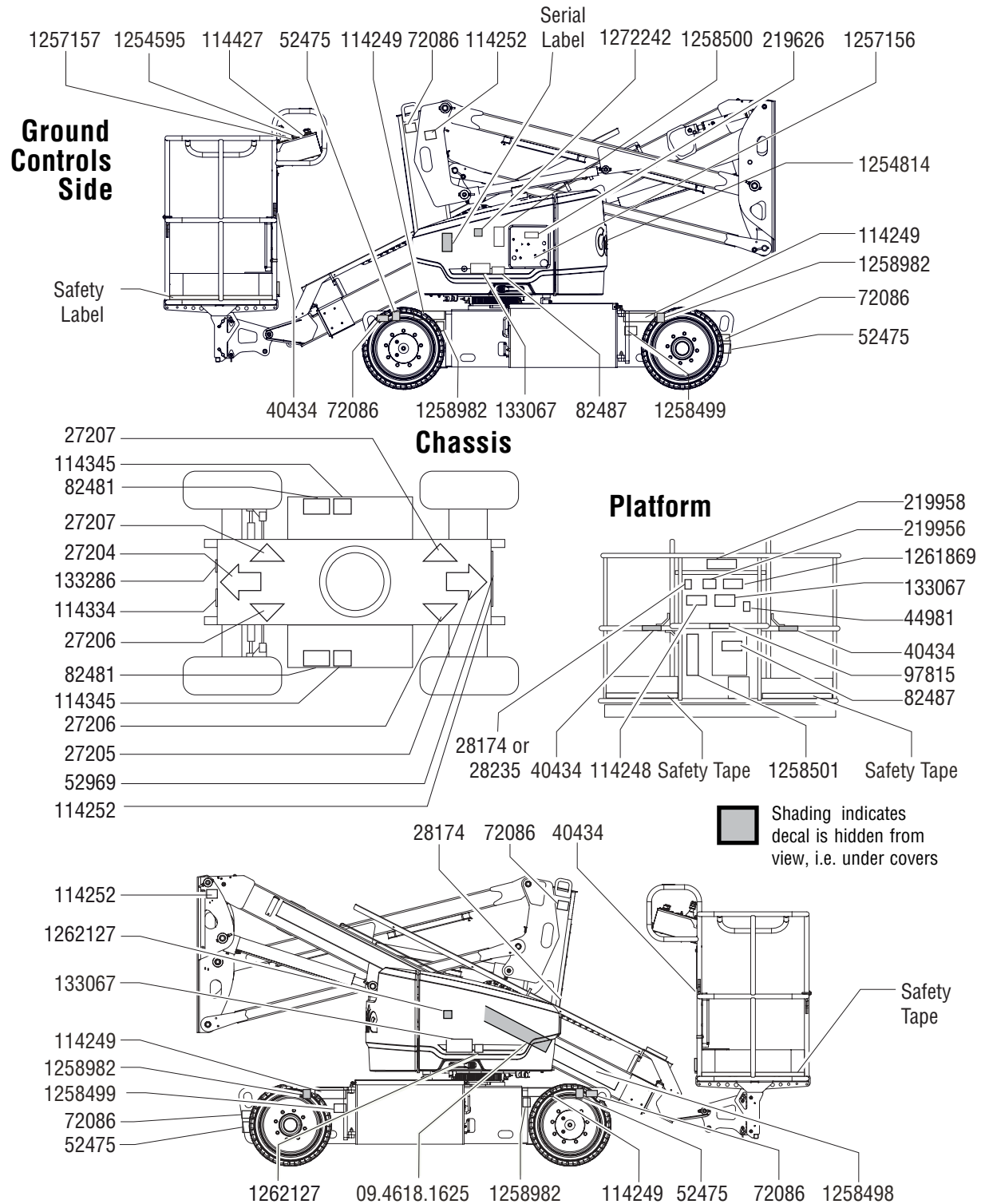
Determine whether the decals on your machine have words or symbols. Use the appropriate inspection to verify that all decals are legible and in place.

Part No.	Decal Description	Qty
27204	Arrow — Blue	1
27205	Arrow — Yellow	1
27206	Triangle — Blue	2
27207	Triangle — Yellow	2
28174	Label — Power to Platform, 230V	2
40434	Label — Lanyard Anchorage Point	4
133286	Label — Power to Charger, 230V	1
52969	Cosmetic — Genie Boom	1
1258498	Cosmetic — Z-33/18	1
219956	Label — Platform Overload	1
82481	Label — Battery/Charger Safety	2
82487	Label — Read the Manual	2
219958	Label — Tip-over, Crush Hazard	1
1258501	Label — Tip-over Hazard, CE	1
97815	Label — Lower Mid-rail	1
114249	Label — Tip-over Hazard, Tires	4
114252	Label — Tip-over Hazard	3
133067	Label — Electrocution Hazard, Limit Switches	3
1257156	Ground Control Panel	1
1257157	Platform Control Panel	1
1258982	Label — Wheel Load	4

Part No.	Decal Description	Qty
1258499	Label — Lifting Diagram, Z-33/18	2
114248	Label — Tip-over Hazard, Tilt Alarm	1
114334	Label — Electrocution Hazard, AC Power Supply	1
114345	Label — Tip-over Hazard, Batteries	2
1254595	Cosmetic — Genie	1
219626	Cosmetic — Genie	1
1258500	Label — Emergency Down	1
1254814	Cosmetic — Genie Blue	1
09.4618.1625	Label — Genie	1
52475	Label — Transport Tie-down	4
72086	Label — Lifting Point	6
1261869	Label — Runaway Hazard	1
1262127	Label — Do not use water	2
114427	Screen protector	1
1272242	Label — Machine Registration Owner/Transfer	1

 Shading indicates decal is hidden from view, i.e. under covers

# Inspections



---

# Operating Instructions



---

## Do Not Operate Unless:

- ☑ You learn and practice the principles of safe machine operation contained in this operator's manual.
  - 1 Avoid hazardous situations.
  - 2 Always perform a pre-operation inspection.
  - 3 Always perform function tests prior to use.
  - 4 Inspect the workplace.
  - 5 **Only use the machine as it was intended.**

## Fundamentals

The Operating Instructions section provides instructions for each aspect of machine operation. It is the operator's responsibility to follow all the safety rules and instructions in the operator's, safety and responsibilities manuals.

Using the machine for anything other than lifting personnel, along with their tools and materials, to an aerial work site is unsafe and dangerous.

Only trained and authorized personnel should be permitted to operate a machine. If more than one operator is expected to use a machine at different times in the same work shift, they must all be qualified operators and are all expected to follow all safety rules and instructions in the operator's, safety and responsibilities manuals. That means every new operator should perform a pre-operation inspection, function tests, and a workplace inspection before using the machine.

# Operating Instructions

## Emergency Stop

Push in the red Emergency Stop button to the off position at the ground controls or the platform controls to stop all machine functions.

Repair any function that operates when either red Emergency Stop button is pushed in.

Selecting and operating the ground controls will override the platform red Emergency Stop button.

## Emergency Power

Use emergency power if the primary power source fails.

- 1 Turn the key switch to ground or platform control.
- 2 Pull out the red Emergency Stop button to the on position.
- 3 Press down the foot switch when using the controls from the platform.
- 4 Simultaneously hold the emergency power switch to either side and activate the desired function.



The drive function will not operate with auxiliary power.

## Operation from Ground

- 1 Turn the key switch to ground control.
- 2 Pull out the red Emergency Stop button to the on position.

### To Position Platform

- 1 Push and hold the function enable button.
- 2 Move the appropriate toggle switch according to the markings on the control panel.



Drive and steer functions are not available from the ground controls.



# Operating Instructions

## Operation from Platform

- 1 Turn the key switch to platform control.
- 2 Pull out both ground and platform red Emergency Stop buttons to the on position.

## To Position Platform

- 1 Set the boom function speed controller to the desired speed.

Note: Drive and steer functions are not affected by the boom function speed controller.

- 2 Press down the foot switch.
- 3 Slowly move the appropriate function control handle or toggle switch according to the markings on the control panel.

## To Steer

- 1 Press down the foot switch.
- 2 Turn the steer wheels with the thumb rocker switch located on top of the drive control handle.

Use the color-coded direction arrows on the platform controls and the drive chassis to identify the direction the wheels will turn.

## To Drive

- 1 Press down the foot switch.
- 2 Increase speed: Slowly move the drive control handle off center.

Decrease speed: Slowly move the drive control handle toward center.

Stop: Return the drive control handle to center or release the foot switch.

Use the color-coded direction arrows on the platform controls and the drive chassis to identify the direction the machine will travel.

Machine travel speed is restricted when the booms are raised or extended.

## Driving on a slope

Determine the uphill, downhill and side slope ratings for the machine and determine the slope grade.



**Maximum slope rating, platform downhill (gradeability):**

30% (17°)



**Maximum slope rating, platform uphill:**

20% (11°)



**Maximum side slope rating:**

25% (14°)

Note: Slope rating is subject to ground conditions and adequate traction.

Be sure the boom is below horizontal and the platform is between the circle-end wheels.

# Operating Instructions

## To determine the slope grade:

Measure the slope with a digital inclinometer OR use the following procedure.

You will need:

- carpenter's level
- straight piece of wood, at least 1 m long
- tape measure

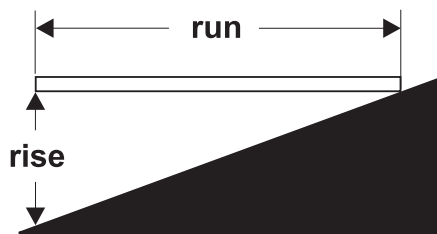
Lay the piece of wood on the slope.

At the downhill end, lay the level on the top edge of the piece of wood and lift the end until the piece of wood is level.

While holding the piece of wood level, measure the vertical distance from the bottom of the piece of wood to the ground.

Divide the tape measure distance (rise) by the length of the piece of wood (run) and multiply by 100.

Example:



Piece of wood = 144 inches (3.6 m)

Run = 144 inches (3.6 m)

Rise = 12 inches (0.3 m)

$12 \text{ in} \div 144 \text{ in} = 0.083$ ;  $0.083 \times 100 = 8.3\%$  grade

$0.3 \text{ m} \div 3.6 \text{ m} = 0.083$ ;  $0.083 \times 100 = 8.3\%$  grade

If the slope exceeds the maximum uphill, downhill or side slope rating, then the machine must be winched or transported up or down the slope. See Transport and Lifting section.

## Drive Enable

Light on indicates that the boom has moved just past either non-steer wheel and the drive function has been interrupted.



To drive, move the drive enable switch to either side and slowly move the drive control handle off center.

Be aware that the machine may move in the opposite direction that the drive and steer controls are moved.

Always use the color-coded direction arrows on the platform controls and the drive chassis to identify the direction the machine will travel.

Notes: The turntable rotation may be disabled in the stowed configuration, due to the automatic control system. See the message shown in the display.

The primary boom down function may be disabled when the boom is next to the chassis, due to the automatic control system. See the message shown in the display.

The primary boom may be lifted when the secondary boom is lowering, due to the automatic control system. See the message shown in the display.

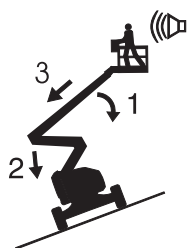
# Operating Instructions

## Machine Not Level Indicator Light



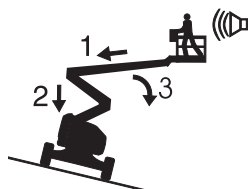
If the tilt alarm sounds when the platform is raised, the Machine Not Level indicator light will come on and the drive function in one or both directions will not operate. Identify the condition of the boom on the slope as shown below.

Follow the steps to lower the boom before moving to a firm, level surface. Do not rotate the boom while lowering.



If the tilt alarm sounds with the platform uphill:

- 1 Lower the primary boom.
- 2 Lower the secondary boom.
- 3 Retract the primary boom.



If the tilt alarm sounds with the platform downhill:

- 1 Retract the primary boom.
- 2 Lower the secondary boom.
- 3 Lower the primary boom.

## After Each Use

- 1 Select a safe parking location—firm level surface, clear of obstruction and traffic.
- 2 Retract and lower the boom to the stowed position.
- 3 Rotate the turntable so that the boom is between the non-steer wheels.
- 4 Turn the key switch to the off position and remove the key to secure from unauthorized use.
- 5 Charge the batteries.

# Operating Instructions



## Battery and Charger Instructions

### Observe and Obey:

- Do not use external charger or booster batteries.
- Charge the batteries in a well-ventilated area.
- Use proper AC input voltage for charging as indicated on the charger.
- Use only Genie authorized batteries and charger.
- Do not operate the machine with the battery charger plugged in.

### To Charge Batteries

- 1 Be sure the batteries are connected before charging the batteries.
- 2 Open the battery compartment. The compartment should remain open for the entire charging cycle.

### Standard batteries

- 1 Remove the battery vent caps and check the battery acid level. If necessary, add only enough distilled water to cover the plates. Do not overfill prior to the charge cycle.
- 2 Replace the battery vent caps.
- 3 Connect the battery charger to a grounded AC circuit.
- 4 The charger will indicate when the battery is fully charged.
- 5 Check the battery acid level when the charging cycle is complete. Replenish with distilled water to the bottom of the fill tube. Do not overfill.

### Dry Battery Filling and Charging Instructions

- 1 Remove the battery vent caps and permanently remove the plastic seal from the battery vent openings.
- 2 Fill each cell with battery acid (electrolyte) until the level is sufficient to cover the plates.

Do not fill to maximum level until the battery charge cycle is complete. Overfilling can cause the battery acid to overflow during charging. Neutralize battery acid spills with baking soda and water.

- 3 Install the battery vent caps.
- 4 Charge the battery.
- 5 Check the battery acid level when the charging cycle is complete. Replenish with distilled water to the bottom of the fill tube. Do not overfill.

# Transport and Lifting Instructions



## Observe and Obey:

- ☑ Genie provides this securement information as a recommendation. Drivers are solely responsible for making sure machines are properly secured and the correct trailer is selected pursuant to US Department of Transportation regulations, other localized regulations, and their company policy.
- ☑ Genie customers needing to containerize any lift or Genie product should source a qualified freight forwarder with expertise in preparing, loading and securing construction and lifting equipment for international shipment.
- ☑ Only qualified aerial lift operators should move the machine on or off the truck.
- ☑ The transport vehicle must be parked on a level surface.
- ☑ The transport vehicle must be secured to prevent rolling while the machine is being loaded.
- ☑ Be sure the vehicle capacity, loading surfaces and chains or straps are sufficient to withstand the machine weight. Genie lifts are very heavy relative to their size. See the serial label for the machine weight. See the inspections section for the serial label location.
- ☑ Be sure the turntable is secured with the turntable rotation lock before transporting. Be sure to unlock the turntable for operation.
- ☑ Do not drive the machine on a slope that exceeds the uphill, downhill or side slope rating. See Driving on a Slope in the Operating Instructions section.
- ☑ If the slope of the transport vehicle bed exceeds the uphill or downhill maximum slope rating, the machine must be loaded and unloaded using a winch as described in the brake release operation. See the Specifications section for the slope ratings.

## Free-wheel Configuration for Winching

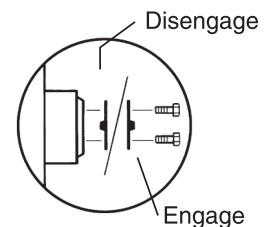
Chock the wheels to prevent the machine from rolling.

Release the non-steer wheel brakes by turning over the drive hub disconnect caps.

Be sure the winch line is properly secured to the drive chassis tie points and the path is clear of all obstructions.

Reverse the procedures described to re-engage the brakes.

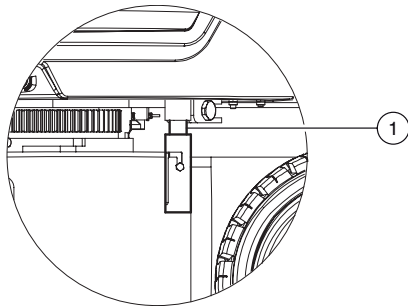
Note: Towing the Genie Z-33/18 is not recommended. If the machine must be towed, do not exceed 2mph / 3.2 km/h.



# Transport and Lifting Instructions

## Securing to Truck or Trailer for Transit

Always use the turntable rotation lock pin each time the machine is transported.



### 1 Turntable rotation lock pin

Turn the key switch to the off position and remove the key before transporting.

Inspect the entire machine for loose or unsecured items.

## Securing the Chassis

Use chains of ample load capacity.

Use a minimum of 4 chains or straps.

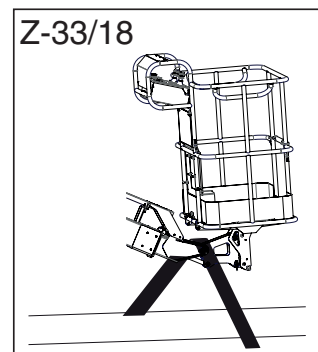
Adjust the rigging to prevent damage to the chains.

For diagram, refer to the Lifting Instructions.

## Securing the Platform – Z-33/18

Make sure the platform is in the stowed position.

Secure the platform with a nylon strap placed over the platform mount near the extension boom end (see below). Do not use excessive downward force when securing the boom section.



# Transport and Lifting Instructions



## Observe and Obey:

- ☑ Only qualified riggers should rig the machine.
- ☑ Only certified crane operators should lift the machine and only in accordance with the applicable crane regulations.
- ☑ Be sure the crane capacity, loading surfaces and straps or lines are sufficient to withstand the machine weight. See the serial label for the machine weight.

## Lifting Instructions

Fully lower and retract the boom. Remove all loose items on the machine.

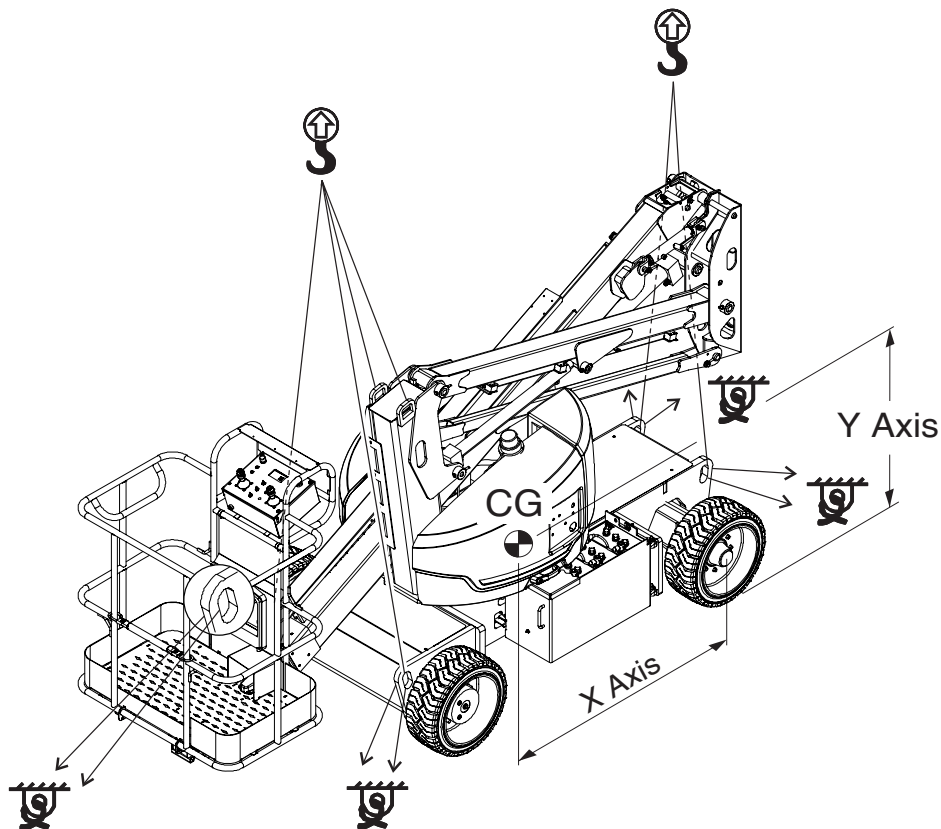
Use the turntable lock pin to secure the turntable.

Determine the center of gravity of your machine using the table and the picture on this page.

Attach the rigging only to the designated lifting points on the machine.

Adjust the rigging to prevent damage to the machine and to keep the machine level.

Center of gravity	X Axis	Y Axis
Z-33/18	925,3 mm 36,4 in	682 mm 26,9 in



# Maintenance



## Observe and Obey:

- ☑ Only routine maintenance items specified in this manual shall be performed by the operator.
- ☑ Scheduled maintenance inspections shall be completed by qualified service technicians, according to the manufacturer's specifications and the requirements specified in the responsibilities manual.
- ☑ Dispose of material in accordance with governmental regulations.
- ☑ Use only Genie approved replacement parts.

## Maintenance Symbols Legend

The following symbols have been used in this manual to help communicate the intent of the instructions. When one or more of the symbols appear at the beginning of a maintenance procedure, it conveys the meaning below.



Indicates that tools will be required to perform this procedure.



Indicates that new parts will be required to perform this procedure.

## Check the Hydraulic Oil Level



Maintaining the hydraulic oil at the proper level is essential to machine operation. Improper hydraulic oil levels can damage hydraulic components. Daily checks allow the inspector to identify changes in oil level that might indicate the presence of hydraulic system problems.

- 1 Be sure that the boom is in the stowed position.
- 2 Visually inspect the sight gauge located on the side of the hydraulic oil tank.
- ⊙ Result: The hydraulic oil level should be at the full black mark of the sight gauge.
- 3 Add oil as needed. Do not overfill.

### Hydraulic oil specifications

Hydraulic oil type	Shell Tellus S2 V46 equivalent
--------------------	--------------------------------



# Maintenance

## Check the Batteries



Proper battery condition is essential to good machine performance and operational safety. Improper fluid levels or damaged cables and connections can result in component damage and hazardous conditions.

- ⚠ Electrocutation hazard. Contact with hot or live circuits may result in death or serious injury. Remove all rings, watches and other jewelry.
  - ⚠ Bodily injury hazard. Batteries contain acid. Avoid spilling or contacting battery acid. Neutralize battery acid spills with baking soda and water.
- 1 Put on protective clothing and eye wear.
  - 2 Be sure that the battery cable connections are tight and free of corrosion.
  - 3 Be sure that the battery hold-down brackets are in place and secure.

### Standard Batteries

- 4 Remove the battery vent caps.
- 5 Check the battery acid level. If needed, replenish with distilled water to the bottom of the battery fill tube. Do not overfill.
- 6 Install the vent caps.

Note: Adding terminal protectors and a corrosion preventative sealant will help eliminate the corrosion on the battery terminals and cables.

## Scheduled Maintenance

Maintenance performed quarterly, annually and every two years must be completed by a person trained and qualified to perform maintenance on this machine according to the procedures found in the service manual for this machine.

Machines that have been out of service for more than three months must receive the quarterly inspection before they are put back into service.

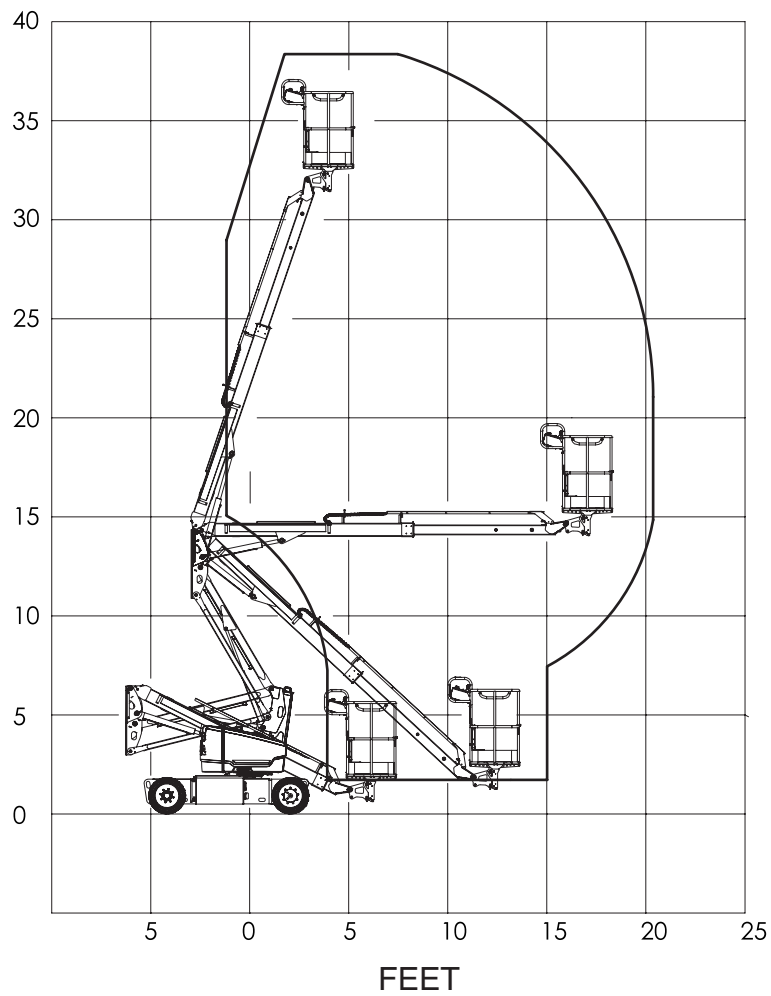
# Specifications

<b>Z-33/18</b>		
Height, working maximum	39 ft 4 in	12 m
Height, platform maximum	32 ft 10 in	10 m
Height, stowed maximum	6 ft 6 in	1.98 m
Horizontal reach, maximum	18 ft 3 in	5.57 m
Width	4 ft 11 in	1.50 m
Length, stowed	13 ft 8 in	4.17 m
Maximum load capacity	440 lbs	200 kg
Maximum wind speed	28 mph	12.5 m/s
Wheelbase	6 ft 3 in	1.90 m
Turning radius (outside)	10 ft	3.07 m
Turning radius (inside)	6 ft 3 in	1.90 m
Turntable rotation	400° non-continuous	
Turntable tailswing	N/A	
Drive speed, stowed	3.4 mph	5.5 km/h
Drive speed, booms raised and retracted*	0.53 mph	0.86 km/h
Drive speed, booms extended**	0.14 mph	0.23 km/h
Ground clearance, axle	5.7 in	14.6 cm
Controls	24V DC proportional	
Weight		
2WD	8,080 lbs	3665 kg
Machine weights vary with option configurations.		
Platform dimensions (length x width)	3 ft 10 in x 2 ft 6 in 117 cm x 76 cm	
Platform leveling	self-leveling	
Total vibration value to which the hand/arm system is subjected does not exceed 8.2 ft/s <sup>2</sup> / 2.5 m/s <sup>2</sup>		
Highest root mean square value of weighted acceleration to which the whole body is subjected does not exceed 1.6 ft/ s <sup>2</sup> / 0.5 m/s <sup>2</sup>		
AC outlet in platform	standard	
Hydraulic pressure, maximum (boom functions)	3002 psi	207 bar
Hydraulic tank capacity	6 gal	20.8 l
Auxiliary power voltage	24V DC	
System voltage	48V DC	
Tire size	56x23x43 cm (22x9x17 in)	

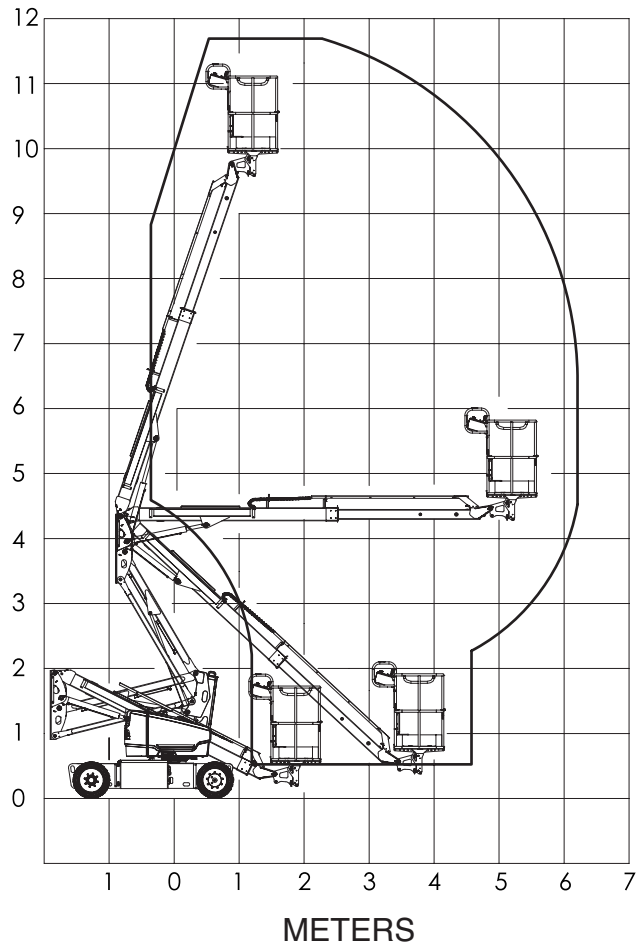
<b>Airborne noise emissions</b>		
Sound pressure level at ground workstation	< 70 dBA	
Sound pressure level at platform workstation	< 70 dBA	
<b>Maximum slope rating, stowed position</b>		
Platform downhill	30% (17°)	
Platform uphill	20% (11°)	
Side slope	25% (14°)	
Note: Slope rating is subject to ground conditions and adequate traction.		
<b>Floor loading information</b>		
Tire load maximum	4243 lbs	1925 kg
Tire contact pressure	70 psi	483 kPa
Occupied floor pressure	203 psf	991 kg/ sq.m 9.72 kPa
Note: Floor loading information is approximate and does not incorporate different option configurations. It should be used only with adequate safety factors.		
Continuous improvement of our products is a Genie policy. Product specifications are subject to change without notice or obligation.		
*Booms raised and retracted or extended but inside the drive enable zone		
**Boom extended, turntable rotated, outside the drive enable zone		

# Specifications

## Range of Motion Chart



# Specifications





California Proposition 65



Operating, servicing and maintaining this equipment, passenger vehicle or off-highway motor vehicle can expose you to chemicals including engine exhaust, carbon monoxide, phthalates, and lead, which are known to the State of California to cause cancer and birth defects or other reproductive harm. These chemicals can be emitted from or contained in other various parts and systems, fluids and some component wear by-products. To minimize exposure, avoid breathing exhaust, do not idle the engine except as necessary, service your equipment and vehicle in a well-ventilated area and wear gloves or wash your hands frequently when servicing your equipment or vehicle and after operation. For more information go to [www.P65Warnings.ca.gov/passenger-vehicle](http://www.P65Warnings.ca.gov/passenger-vehicle).



# ***Operator's Manual Supplement***

## ***Lift Guard™ Contact Alarm***

First Edition  
Second Printing  
Part No. 1278541GT

---

## Introduction

### Lift Guard Contact Alarm System

The Lift Guard Contact Alarm system is designed to alert ground personnel when an operator makes unintentional contact with the platform control panel. Boom movement will be interrupted, sounding an alarm and flashing warning lights.

The system is designed to be unobtrusive, featuring a breakaway cable fitted above the platform control panel. When the breakaway cable is triggered, the actuator is pulled out of the switch socket disabling lift and drive functions at the platform. The machine horn sounds and lights flash at the platform, alerting others that assistance may be needed. These notifications will continue until the system is reset.



---

### Danger

Failure to obey the instructions and safety rules in this manual and in the operator's manual for this machine will result in death or serious injury.

Note: These installation instructions apply to the Genie models listed below:

**S-Booms:** All S-40 models, All S-45 models, All S-60 models, All S-65 models, All S-80 models, S-85, S-100, S-105, S-120, S-125, SX-125 XC, SX-135 XC, SX-150, SX-180

**Z-Booms:** Z30/20N, Z-33/18, All Z-34 models, All Z-40/23 models, All Z-45/25 models, Z-45 XC, Z-51, All Z-60/37 models, Z-62/40, Z-80/60, ZX-135/70



## Introduction

### **▲ Contact Alarm Safety**

Read, understand and obey all warnings and instructions provided with the Contact Alarm.

Do not exceed the rated platform capacity. The weight of the Contact Alarm assembly will reduce the rated platform capacity and must be subtracted from the total platform load.

The Contact Alarm assembly weighs  
10 lbs / 4.5 kg.

Be sure the Contact Alarm is securely installed.

### **Symbol and Hazard Pictorials Definitions**



Contact Alarm weight.  
10 lbs / 4.5 kg.



Read the supplement manual,  
part number 1278541.

### **Pre-operation Inspection**

- Be sure that the operator's, safety manual, responsibilities manual and any necessary supplements are complete, legible and in the storage container located in the platform.
- Be sure that all decals are legible and in place.

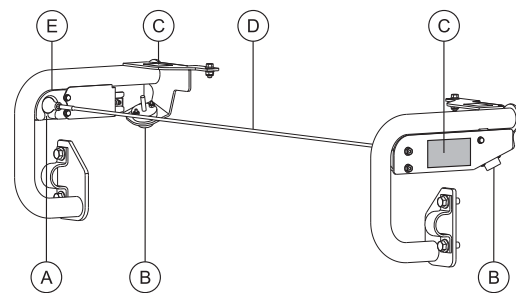
Check the Contact Alarm for damage, improperly installed or missing parts and unauthorized modifications.

- Nuts, bolts and other fasteners
- Wiring, cables and Contact Alarm components
- Cracks in welds or structural components
- Dents or damage to the Contact Alarm

# Introduction

## Function Test

- 1 Do not activate the foot switch and press on the Contact Alarm cable to release the actuator from the switch socket.
  - ⊙ The Contact Alarm lights will not flash and the machine horn will not sound.
- 2 Activate the foot switch by pressing the foot switch down.
  - ⊙ The Contact Alarm lights will flash and the machine horn will sound.
- 3 Insert the actuator into the switch socket.
  - ⊙ The lights and horn will turn off.
- 4 Activate the foot switch by pressing the foot switch down and press on the Contact Alarm cable to release the actuator from the switch socket.
  - ⊙ The Contact Alarm lights will flash and the machine horn will sound.
- 5 Operate each machine function.
  - ⊙ No machine functions should operate.
- 6 Insert the actuator into the switch socket.
  - ⊙ The lights and horn will turn off.
- 7 Operate each machine function.
  - ⊙ Machine functions should operate.



- a switch socket
- b flashing alarm
- c decal
- d Contact Alarm cable
- e actuator

# Introduction

## Decal Inspection

Use the inspection to verify that all decals are legible and in place.

Part No.	Decal Description	Qty
1278542	Label – Contact Alarm 10 lbs / 4.5 kg	1
1278982	Label – Actuator Switch Socket	1

Shading indicates decal is hidden from view within the orientation of the graphic.

## Operating Instructions

Contact Alarm lights flashing and machine horn sounding: Machine functions will not operate from the platform controls.

### Platform Controls Operation

- 1 Insert the actuator into the switch socket to turn the alarm off and restore machine functions.

Note: To properly restore machine functions after the Contact Alarm has been activated, the actuator must be inserted into the switch socket. Pushing in the red Emergency Stop button to the off position will not restore machine functions, this action will only turn off the Contact Alarm lights and machine horn.

### Ground Controls Operation

- 1 Turn the key switch to ground control and use appropriate controls to position the platform.

Note: The Contact Alarm is not active when operating from the ground controls.

Distributed By: