

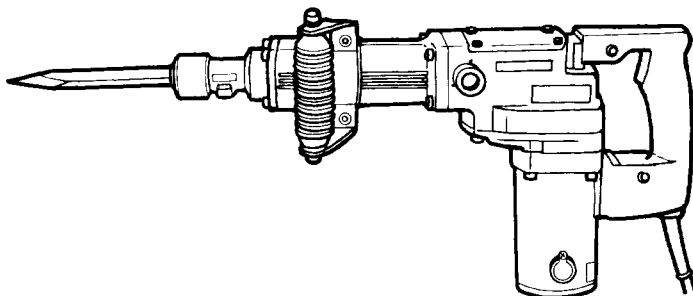


# HITACHI

## DEMOLITION HAMMER

### MODEL H 55SC

## INSTRUCTION MANUAL



**Note**

Before using this Electric Power Tool, carefully read through this INSTRUCTION MANUAL to ensure efficient, safe operation. It is recommended that this MANUAL be kept readily available as an important reference when using this power tool.



**DOUBLE INSULATION**

We sincerely thank you for selecting a HITACHI ELECTRIC POWER TOOL. To operate this electric power tool safely and efficiently, please read this INSTRUCTION MANUAL carefully to get a good understanding of the precautions in operation, capacity of the electric power tool, use and the like.

## **IMPORTANT INFORMATION: SAFETY RULES FOR POWER TOOLS**

**WARNING:** When using electric tools, basic safety precautions should always be followed to reduce the risk of fire, electric shock, and personal injury, including the following.

### **READ ALL INSTRUCTIONS**

- 1. KEEP WORK AREA CLEAN.** Cluttered areas and benches invite injuries.
- 2. CONSIDER WORK AREA ENVIRONMENT.**
  - Don't expose power tools to rain.
  - Don't use power tools in damp or wet locations.
  - Keep work area well lit.
  - Don't use tool in presence of flammable liquids or gases.
    - Power tools produce sparks during operation. They also spark when switching ON/OFF. Never use power tools in dangerous sites containing lacquer, paint, benzine, thinner, gasoline, gases, adhesive agents, and other materials which are combustible or explosive.
- 3. GUARD AGAINST ELECTRIC SHOCK.** Prevent body contact with grounded surfaces. For example; pipes, radiators, ranges, refrigerator enclosures.
- 4. KEEP CHILDREN AWAY.** Do not let visitors contact tool or extension cord. All visitors should be kept away from work area.
- 5. STORE IDLE TOOLS.** When not in use, tools should be stored in dry, and high or locked-up place-out of reach of children.
- 6. DON'T FORCE TOOL.** It will do the job better and safer at the rate for which it was intended.
- 7. USE RIGHT TOOL.** Don't force small tool or attachment to do the job of a heavy-duty tool. Don't use tool for purpose not intended-for example-don't use circular saw for cutting tree limbs or logs.
- 8. DRESS PROPERLY.** Do not wear loose clothing or jewelry. They can be caught in moving parts.
  - Rubber gloves and non-skid footwear are recommended when working outdoors.
  - Wear protective hair covering to contain long hair.
- 9. USE SAFETY GLASSES.** Also use face or dust mask if cutting operation is dusty.
  - All persons in the area where power tools are being operated should also wear safety eye protectors and face or dust masks.
- 10. DON'T ABUSE CORD.** Never carry tool by cord or yank it to disconnect from receptacle. Keep cord from heat, oil and sharp edges.

11. **SECURE WORK.** Use clamps or a vise to hold work. It's safer than using your hand and it frees both hands to operate tool.
12. **DON'T OVERREACH.** Keep proper footing and balance at all times.
13. **MAINTAIN TOOLS WITH CARE.** Keep tools sharp and clean for better and safer performance.  
Follow instructions for lubricating and changing accessories.  
Inspect tool cords periodically and if damaged, have repaired by authorized service facility.  
Inspect extension cords periodically and replace if damaged.  
Keep handles dry, clean, and free from oil and grease.
14. **DISCONNECT TOOLS.** When not in use, before servicing, and when changing accessories, such as blades, bits, cutters.
15. **REMOVE ADJUSTING KEYS AND WRENCHES.** Form habit of checking to see that keys and adjusting wrenches are removed from tool before turning it on.
16. **AVOID UNINTENTIONAL STARTING.** Don't carry plugged-in tool with finger on switch. Be sure switch is off when plugging in.
17. **OUTDOOR USE EXTENSION CORDS.** When tool is used outdoors, use only extension cords intended for use outdoors and so marked.
18. **STAY ALERT.** Watch what you are doing. Use common sense. Do not operate tool when you are tired.
19. **CHECK DAMAGED PARTS.** Before further use of the tool, a guard or other part that is damaged should be carefully checked to determine that it will operate properly and perform its intended function. Check for alignment of moving parts, binding of moving parts, breakage of parts, mounting, and any other conditions that may affect its operation. A guard or other part that is damaged should be properly repaired or replaced by an authorized service center unless otherwise indicated elsewhere in this instruction manual.  
Have defective switches replaced by authorized service center.  
Do not use tool if switch does not turn it on and off.
20. **AVOID USING A POWER TOOL FOR APPLICATIONS OTHER THAN THOSE SPECIFIED.** Never use a power tool for applications other than those specified in the instruction manual.
21. **ENSURE SAFE OPERATION THROUGH CORRECT HANDLING.** Secure safe operation through correct handling by observing the instructions described herein.  
Do not employ accessories other than those specified herein; otherwise, a hazardous condition may be created.  
Never allow a power tool to be used by persons not familiar with correct handling (such as children) or by those who cannot handle the tool correctly.
22. **CONFIRM THAT NO ITEMS SUCH AS AN ELECTRIC CABLE OR CONDUIT ARE BURIED INSIDE.** In places where live wiring may be hidden behind a wall, floor, ceiling, etc. do not hold or contact any metal parts of the tool. In such cases, metal parts could become electrically live and present a serious shock hazard.

23. **KEEP THE RIGHT PARTS IN THE RIGHT POSITIONS.** Do not remove covers and screws which have been factory-mounted. They perform important respective roles. Keep them in the right positions.
24. **SHOULD THE PLASTIC HOUSING OR HANDLE OF A POWER TOOL BE CRACKED OR DEFORMED, DO NOT USE IT.** Since cracked or deformed parts may lead to an operator receiving an electric shock, do not use such a power tool. Immediately have it repaired.
25. **SECURELY MOUNT ACCESSORIES AND BLADES TO THE TOOL MAIN BODY.** Extra care must be taken when using tools on elevated location (such as a roof ladder, scaffold, or the like) to prevent injury to someone on a lower level in the event the tool and/or accessory should drop.
26. **ALWAYS KEEP THE MOTOR AIR VENT FULLY OPENED.** A constantly open motor air vent is necessary to allow air to come in and out for cooling the motor. Do not allow it to become clogged up, even if dust is blown through it.
27. **OPERATE POWER TOOLS AT THE RATED VOLTAGE.** Operate power tools at voltages specified on their nameplates.
28. **NEVER TOUCH THE MOVING PARTS.** Never touch the moving parts such as blades, bits, cutters and others.
29. **STOP OPERATION IMMEDIATELY IF ANY ABNORMALITY IS DETECTED.** Should a power tool be detected as out of order or should other abnormalities be observed during operation, stop using the tool immediately.
30. **NEVER LEAVE TOOL RUNNING UNATTENDED. TURN POWER OFF.** Don't leave tool until it comes to a complete stop.
31. **CAREFULLY HANDLE POWER TOOLS.** Should a power tool be dropped or struck against hard materials inadvertently, it may be deformed, cracked, or damaged.
32. **DO NOT WIPE PLASTIC PARTS WITH SOLVENT.** Solvents such as gasoline, thinner, benzine, carbon tetrachloride, and alcohol may damage and crack plastic parts. Do not wipe them with such solvents. Wipe plastic parts with a soft cloth lightly dampened with soapy water.
33. **WHEN REPLACING A COMPONENT PART, ADOPT THE SAME TYPE.** When replacing a component part with a new one, adopt the same type of new part. Also, never attempt to repair a power tool yourself.

## 34. **SAVE THESE INSTRUCTIONS**

### **SERVICE AND REPAIRS**

All quality tools will eventually require servicing or replacement of parts due to wear from normal use. These operations should **ONLY** be performed by an **AUTHORIZED HITACHI POWER TOOL REPAIR SHOP.**

### **REPLACEMENT PARTS**

When servicing use only identical replacement parts.

## DOUBLE INSULATION SYSTEM ENHANCES SAFE OPERATION

To enhance safe operation of this electric power tool, HITACHI has adopted a double insulation system. The term "double insulation" used here denotes an insulation system with two insulations physically separated and arranged between the electrically conductive material connected to the power supply and the outer frame subject to contact by the operator.

Thus, the power tool is termed double insulated and both the "回" mark and "Double insulation", or either one is indicated on the name plate.

While no external grounding is required with this system, normal safety precautions as outlined in this manual must still be followed.

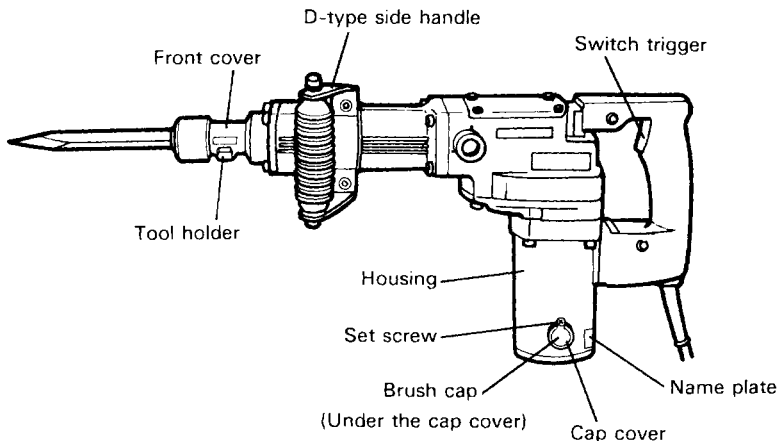
To maintain the effectiveness of the double insulation system, follow the precautions described below:

1. Always contact your dealer or an authorized HITACHI power tool repair shop when assembling, disassembling or replacing parts other than accessories or carbon brushes. Improper assembly and/or replacement with wrong parts may result in eliminating the double insulation-feature.
2. Clean the exterior of the tool with a soft cloth moistened with soapy water, and dry thoroughly. Chloric solvent, gasoline, and thinner will cause plastic components to dissolve.

## PRECAUTIONS ON USING DEMOLITION HAMMER

1. Wear ear protectors when using for extended periods.
2. Always attach the side handle and securely grip the Demolition Hammer.
3. Do not touch the tool bit with one's bare hands after operation.

## NAME OF PARTS



DOUBLE INSULATION

## SPECIFICATIONS

Motor	Single-Phase, Series-Commutator Motor
Power Source	Single-Phase 115V AC 60 Hz
Current	10.4A
Full-load Impact Rate	1450/min.
Weight	40.3 lbs

This power tool has anti vibration handles.  
The handles reduce vibration which is added to the operator.

## ACCESSORIES

### CAUTION:

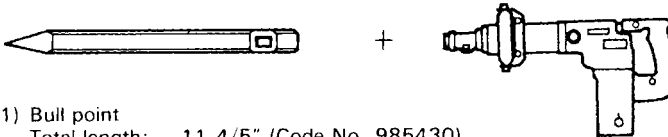
Recommended accessories for this Electric Power Tool are mentioned in this manual. The use of any other attachment or accessory might be hazardous.

### STANDARD ACCESSORIES

(1) Steel Case .....	1
(2) D-Type Side Handle .....	1
(3) Dust Cover .....	1
(4) Bull Point .....	1
(5) Hexagon Bar Wrench (for 8mm Screw) .....	1
(6) Hammer Grease A .....	1

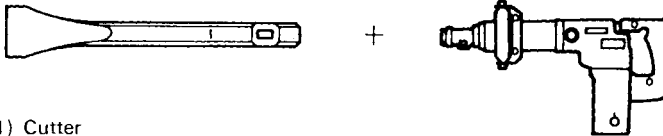
### OPTIONAL ACCESSORIES (sold separately)

#### ○ Crushing



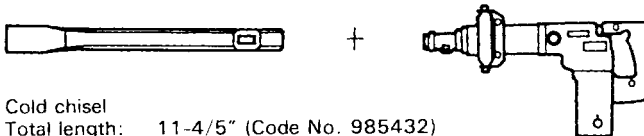
- (1) Bull point  
Total length: 11-4/5" (Code No. 985430)  
15-3/4" (Code No. 985431)

#### ○ Asphalt Cutting



- (1) Cutter  
Width: 2-3/8" (Code No.985434)

#### ○ Groove Digging and Edging



- (1) Cold chisel  
Total length: 11-4/5" (Code No. 985432)  
15-3/4" (Code No. 985433)

## APPLICATIONS

- Breaking concrete, chipping off concrete, grooving, bar cutting, and driving piles (Application examples).  
Installation of piping and wiring sanitary facility installation, machinery installation, water supply and drainage work, interior jobs, harbor facilities and other civil engineering work.

## PRIOR TO OPERATION

### 1. Power source

Ensure that the power source to be utilized conforms to the power requirements specified on the product nameplate.

### 2. Power switch

Ensure that the power switch is in the OFF position. If the plug is connected to a power receptacle while the power switch is in the ON position, the power tool will start operating immediately, inviting serious accident.

### 3. Extension cord

When the work area is removed from the power source, use as extension cord of sufficient thickness and rated capacity. The extension cord should be kept as short as practicable.

**CAUTION:** Damaged cord must be replaced or repaired.

### 4. Confirming condition of the environment

Confirm that the work site is placed under appropriate conditions conforming to prescribed precautions.

### 5. Confirm the power receptacle

If the power receptacle only loosely accepts the plug, the receptacle must be repaired. Contact the nearest electric store for repair service.

If such a faulty receptacle is used, it may cause overheating, resulting in a serious hazard.

### 6. Tool mounting

**Note:** For tools such as a bull point and a cold chisel, use only Hitachi genuine parts.

- (1) Clean, then smear the tool shank with the grease provided.
- (2) Slide the tool holder in the direction of arrow (A) and rotate it 180°.  
Turn the notch of the tool shank downward and insert it fully into the hexagonal hole of the front cover. (Fig. 1)
- (3) Turn the tool holder and align the front cover mark with the tool holder mark to secure.

#### **NOTE:**

Remove in the reverse order to installation.

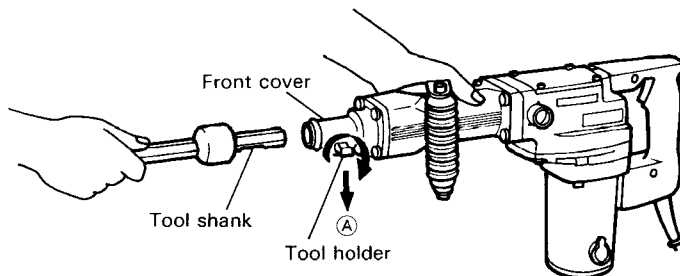


Fig. 1

## HOW TO USE THE DEMOLITION HAMMER

1. After placing the tip of the tool in the base hole, switch ON.
2. By utilizing the weight of the machine and by firmly, holding the hammer with both hands, one can effectively control the subsequent recoil motion.  
Proceed at a moderate work-rate, the use of too much force will impair efficiency.

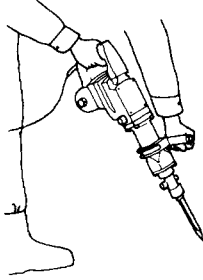


Fig. 2

## HOW TO REPLACE GREASE

This machine is of full air-tight construction to protect against dust and to prevent lubricant leakage. Therefore, the machine can be used without lubrication for long periods. Replace the grease as described below.

### 1. Grease Replacement Period:

After purchase, replace grease after every 6 months of usage.

Ask for grease replacement at the nearest Authorized Hitachi Service Agent.

Proceed for replacement of grease.

### 2. Grease Replacement:

#### CAUTION:

Before replacing the grease, turn the power off and pull out the power plug.

- (1) Remove the crank cover and wipe off the grease inside.
- (2) Supply 1.1 oz of Hitachi Electric Hammer Grease A (standard accessory, contained in tube) to the crank case.
- (3) After replacing the grease, install the crank case securely.

#### Note:

The Hitachi Electric Hammer Grease A is of the low viscosity type. When the supplied grease tube is consumed, purchase from an Authorized Hitachi Service Agent.

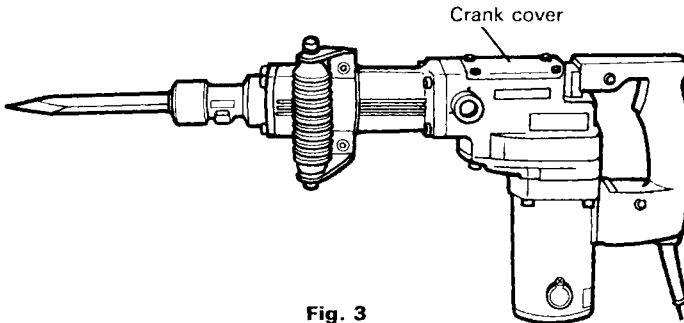


Fig. 3



## MAINTENANCE AND INSPECTION

### CAUTION:

Be sure to switch power OFF and disconnect the plug during maintenance and inspection.

#### 1. Inspecting the tool:

Since use of a dull tool will degrade efficiency and cause possible motor malfunction, sharpen or replace the tool as soon as abrasion is noted.

#### 2. Inspecting the mounting screws:

Regularly inspect all mounting screws and ensure that they are properly tightened. Should any of the screws be loose, retighten them immediately. Failure to do so could result in serious hazard.

#### 3. Inspecting the carbon brushes: (Fig. 4)

The motor employs carbon brushes which are consumable parts. When they become worn to or near "wear limit", it could result in motor trouble. When an auto-stop carbon brush is equipped, the motor will stop automatically.

At that time, replace both carbon brushes with new ones which have the same carbon brush Nos. shown in the figure. In addition, always keep carbon brushes clean and ensure that they slide freely within the brush holders.

#### 4. Replacing Carbon Brushes: (Refer to figure for name of parts)

Remove the cap cover then loosen the set screw. By loosening the brush cap, the carbon brushes can be removed. After fitting new carbon brushes, securely retighten the brush cap and replace the cap cover.

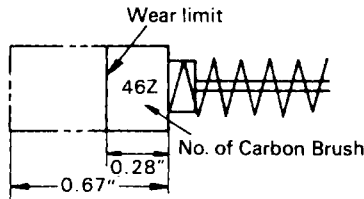
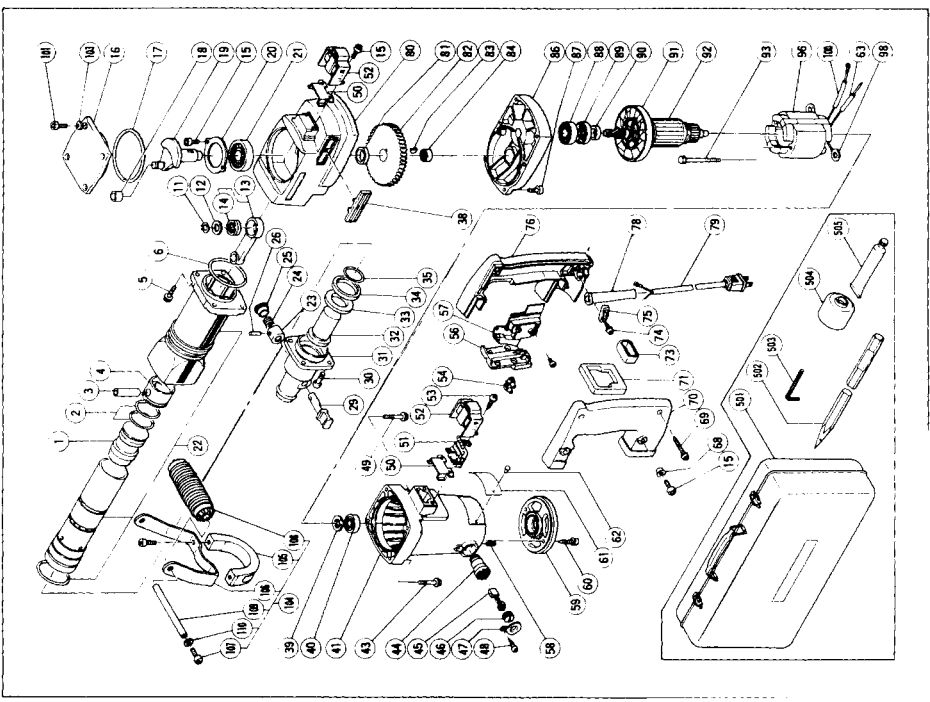


Fig. 4

### Note:

Due to HITACHI's continuing program of research and development, the specifications herein are subject to change without prior notice.

# H55SC



# H55SC

Item No.	Part Name	Item No.	Part Name
1	Striker	58	Hex. Socket Set Screw M5 x 8
2	O-Ring (A)	59	Tail Cover
3	Piston Pin	60	Tapping Screw (W/Flange) D5 x 20
4	Piston	61	Name Plate
5	Hex. Socket Hd. Bolt (W/Flange) M8 x 35	62	Rivet D2.6 x 4.8
6	O-Ring (IAS-60)	63	Vinyl Tube (I.D. 7 x 0.51 x 50)
11	Retaining Ring For D12 Shaft	68	Distance Piece (B)
12	Crank Washer	69	Tapping Screw (W/Flange) D4 x 30
13	Connecting Rod Ass'y	70	Handle (B)
14	Needle Bearing (B) [INTN RNA4901]	71	Handle Packing
15	Seal Lock Hex. Socket Hd. Bolt M5 x 14	73	Wire Support
16	Crank Cover	74	Tapping Screw (W/ Washer) D4 x 20
17	O-Ring (S-90)	75	Cord Clip
18	Inner Race	76	Handle (A)
19	Crank Shaft	78	Cord Armor
20	Bearing Cover	79	Cord
21	Ball Bearing (6204DDUCMP2S)	80	Crank Case Ass'y
22	Cylinder Case	81	Distance Ring (B)
23	Spring Case	82	First Gear
24	Stopper Spring	83	Woodruff Key 3 x 13
25	Stopper Sleeve	84	Needle Bearing (A) [BK1512]
26	Needle Roller D4 x 20	86	Gear Cover
29	Stop Lever	87	Seal Lock Hex. Socket Hd. Bolt M6 x 20
30	Seal Lock Hex. Socket Hd. Bolt M8 x 25	88	Ball Bearing (6206DDUCMP2S)
31	Front Cover	89	Oil Seal (FPM 807)
32	Second Hammer	90	Sleeve
33	Damper Washer	91	Fan
34	Damper	92	Armature Ass'y
35	O-Ring (C)	93	Hex. Hd. Tapping Screw D5 x 70
38	Dust Washer	96	Stator Ass'y
39	Wind Guide (B)	98	Brush Terminal
40	Ball Bearing (6200VVCMP2S)	100	Vinyl Tube (A) (I.D. 7 x 0.51 x 80)
41	Housing Ass'y	101	Seal Lock Hex. Socket Hd. Bolt M5 x 16
43	Hex. Socket Hd. Bolt (W/Flange) M6 x 60	103	Washer M5
44	Brush Holder	104	Holder Ass'y
45	Carbon Brush	105	Holder (A)
46	Brush Cap	106	Holder (B)
47	Cap Cover	107	Hex. Socket Hd. Bolt M8 x 20
48	Tapping Screw D4 x 10	108	Grip
49	Hex. Socket Hd. Bolt (W/Flange) M6 x 40	109	Shaft
50	Guide Plate	110	Washer (C)
51	Internal Wire Holder	501	Case
52	Handle Rubber	502	Built Point 12" L
53	Tapping Screw (W Washer) D5 x 2.5	503	Hex. Bar Wrench 6mm
54	Pillar Terminal	504	Dust cover
56	Support (E)	505	Grease A (30G)
57	Switch (A)		

Parts are subject to possible modification without notice due to improvements.

# **Hitachi Koki Co.,Ltd.**

Nippon Bldg., 2-6-2, Ohtemachi,  
Chiyoda-Ku, Tokyo 100, Japan

907

Code No. C99038362 N

Printed in Japan